



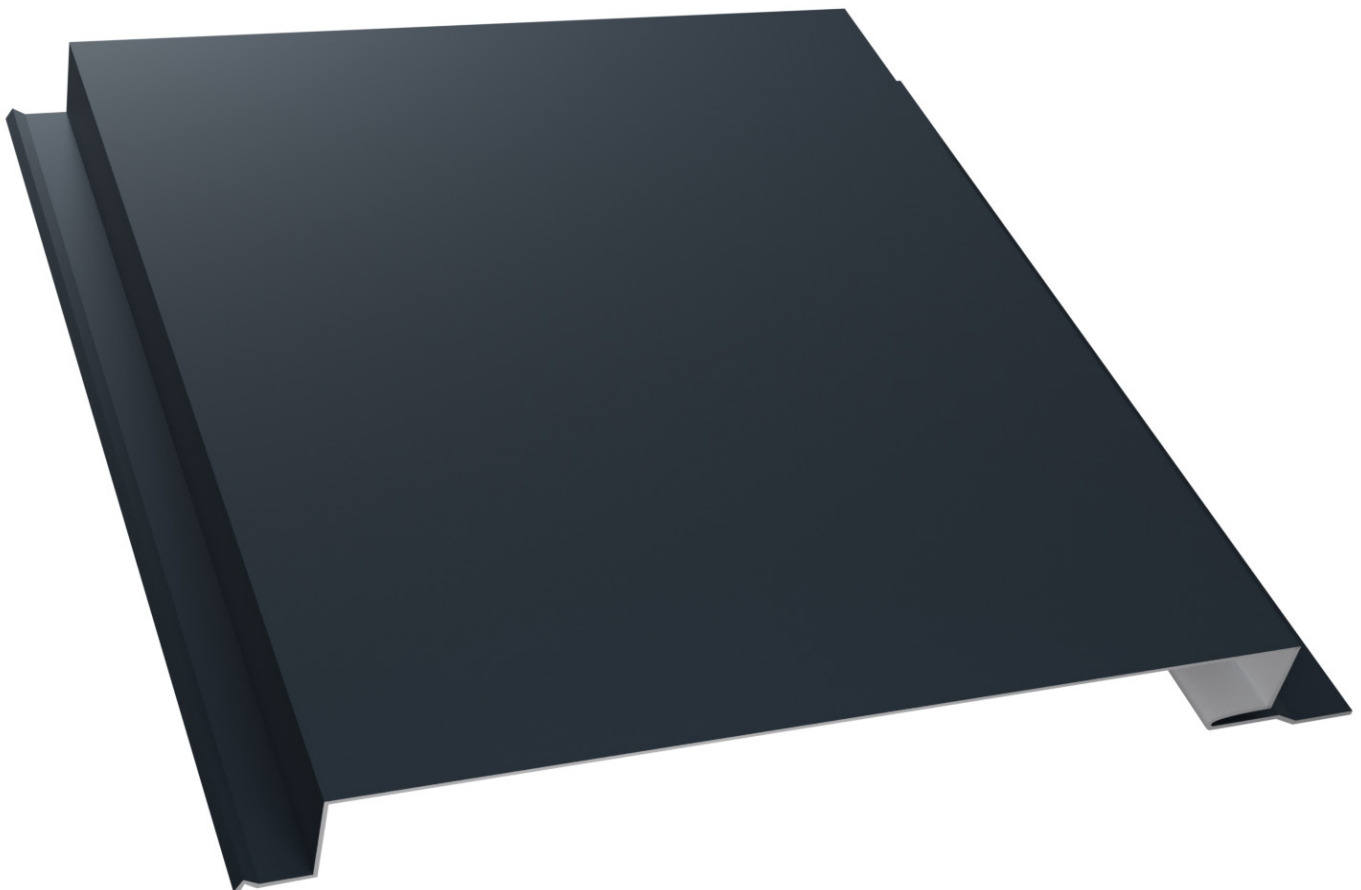
Finishes You've Never Seen Before®

WESTERN STATES METAL ROOFING

(877) 787-5467 • WESTERNSTATESMETALROOFING.COM

T-GROOVE®

INSTALLATION GUIDE WITH TRIM, FLASHINGS AND DETAILS



4204-22



Phoenix: 901 W Watkins St., Phoenix, AZ 85007

☎ (602) 495-0048

✉ sales@westernstatesmetalroofing.com

Tucson: 4975 E. Drexel Rd., Tucson, AZ 85706

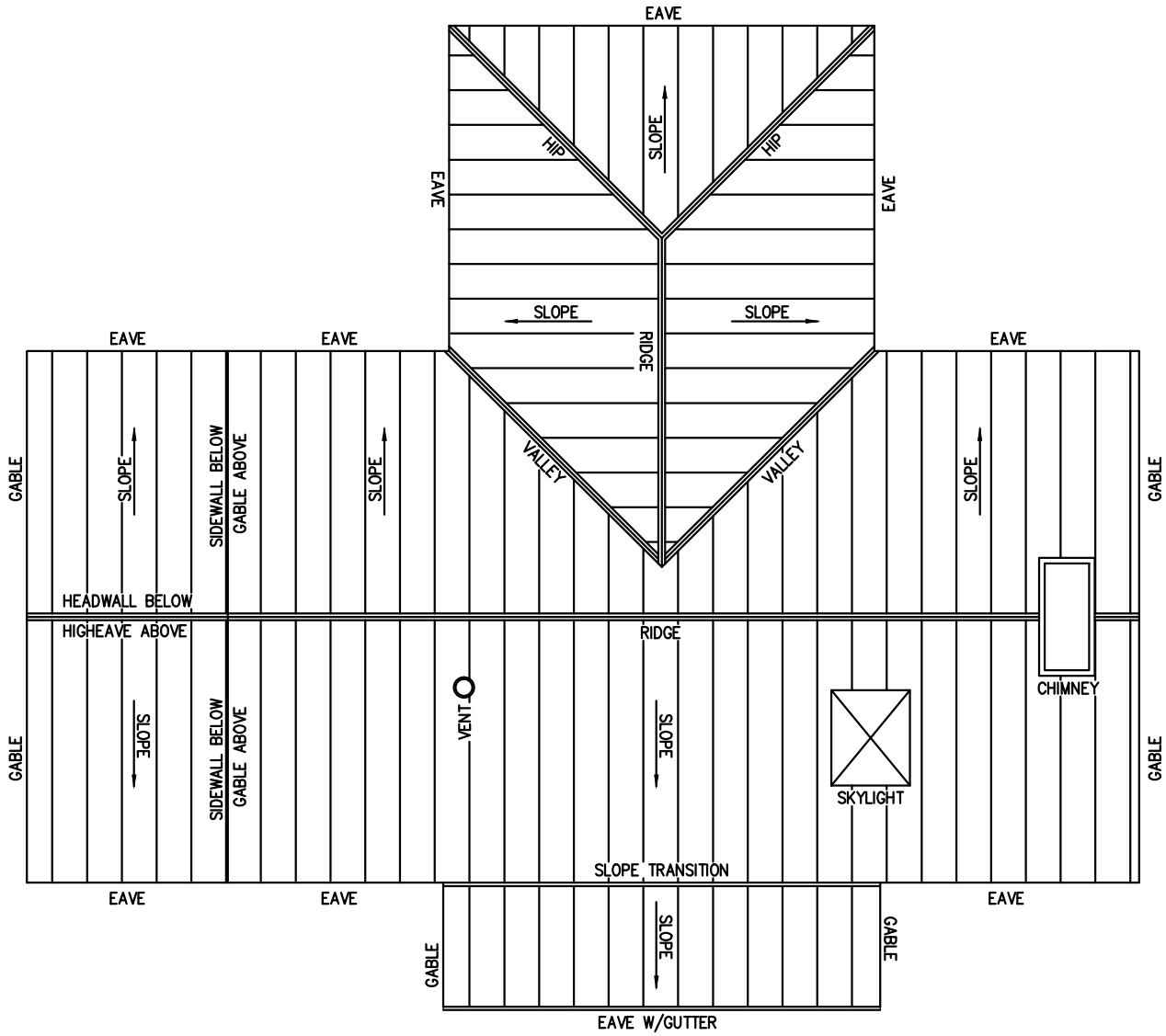
☎ (520) 574-4247

✉ tucsonsales@westernstatesmetalroofing.com

Texas: 15023 County Rd 545, Nevada, TX 75173

☎ (972) 843-4343

✉ texas-sales@westernstatesmetalroofing.com



FLASHING TYPE	DETAIL NO.
STANDARD TRIM	WSD-ST5
STANDARD TRIM	WSD-ST6
SOFFIT END SPLICE	WSD-S1
WALL-SOFFIT END SPLICE	WSD-SW2
SOFFIT END WALL	WSD-S3
ALTERNATE SOFFIT END WALL	WSD-SW4
SOFFIT TO WALL DRIP	WSD-SW5
HORIZONTAL SIDING END WALL	WSD-W6
VERTICAL SIDING END WALL	WSD-W7
PARAPET WALL	WSD-W8
SPLICE SILL	WSD-W9
BASE	WSD-W10
SILL AND HEAD	WSD-W11
JAMB	WSD-W12
SILL	WSD-W13
OUTSIDE CORNER	WSD-W14
INSIDE CORNER	WSD-W15
CUSTOM OUTSIDE CORNER	WSD-W16
CUSTOM INSIDE CORNER	WSD-W17
SOFFIT TO WALL DRIP	WSD-W18
PARAPET WALL	WSD-W19
SPLICE-SILL DETAIL	WSD-W20
BASE DETAIL	WSD-W21
SILL-HEAD DETAIL	WSD-W22
JAMB DETAIL	WSD-W23
SILL DETAIL	WSD-W24
OUTSIDE CORNER	WSD-W25
INSIDE CORNER	WSD-W26
NOTES	WSD-N27
CUSTOM TRIM SHEET	WSD-CT28

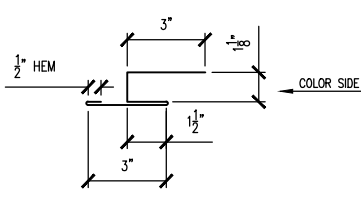
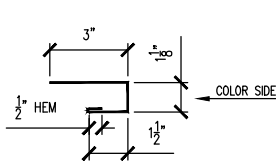
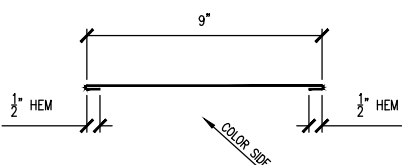
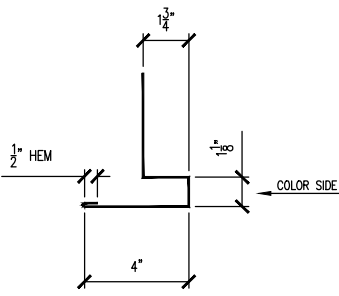
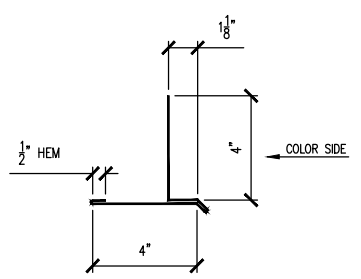
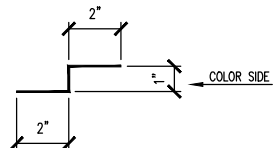
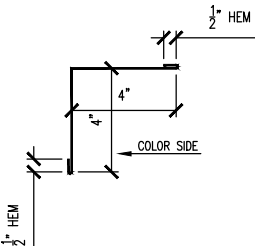
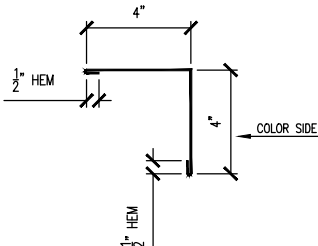
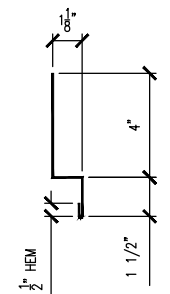
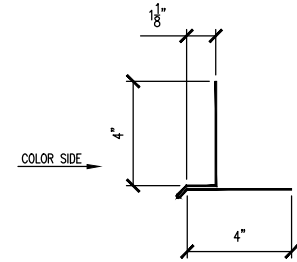
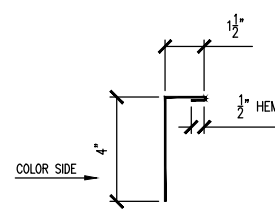
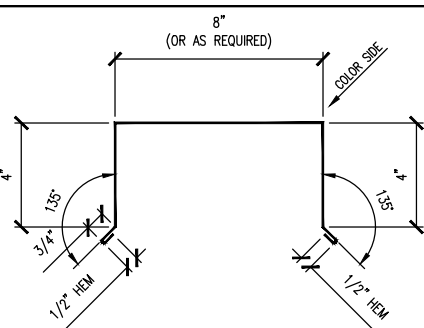
Western States Metal Roofing

901 W. Watkins St.
 Phoenix, AZ 85007
www.MetalForRoofing.com
www.RustedRoofing.com
www.MetalDeck.com

Phone: (602) 495-0048
 Fax: (602) 261-7726
 877-PURLINS (787-5467)



DETAIL:		
KEY ROOF PLAN	A	05-20-13
PANEL TYPE:	REV:	DATE:
T GROOVE		
	DETAIL #:	

<p>END SPLICE WS-500</p> 	<p>C METAL (J-TRIM) WS-501</p> 	<p>REVEAL FLASHING WS-502</p> 	<p>SILL DRIP TRIM WS-504</p> 
<p>ALTERNATE SILL DRIP TRIM WS-505</p> 	<p>Z METAL TRIM WS-506</p> 	<p>INSIDE CORNER TRIM WS-507</p> 	<p>OUTSIDE CORNER TRIM WS-508</p> 
<p>TRANSITION/SILL TRIM WS-509</p> 	<p>DOOR/WINDOW HEAD TRIM WS-510</p> 	<p>DOOR/WINDOW JAMB TRIM WS-511</p> 	<p>PARAPET CAP WS-512</p> 

Western States Metal Roofing

901 W. Watkins St.
 Phoenix, AZ 85007
www.MetalForRoofing.com
www.RustedRoofing.com
www.MetalDeck.com

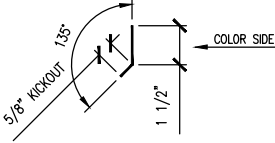
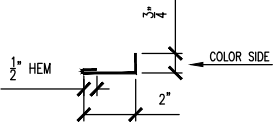
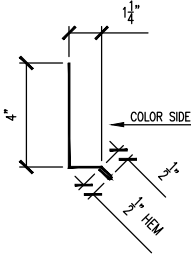
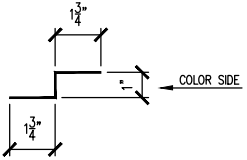
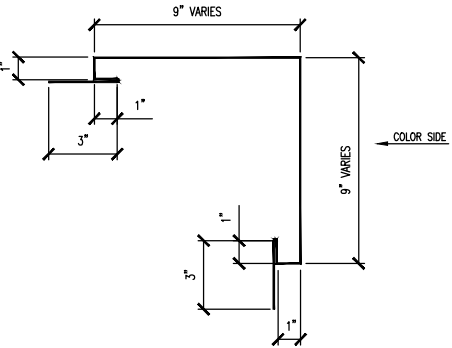
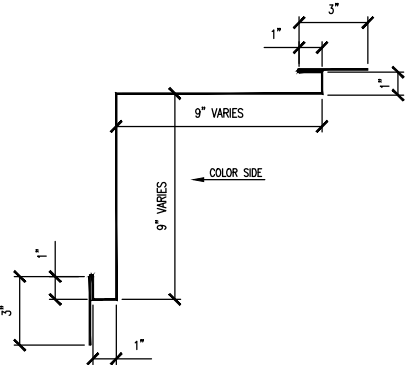
Phone: (602) 495-0048
 Fax: (602) 261-7726
 877-PURLINS (787-5467)

STANDARD TRIM

PANEL TYPE:

T GROOVE

A	05-20-13
REV:	DATE:
DETAIL #:	TG-WSD-ST5

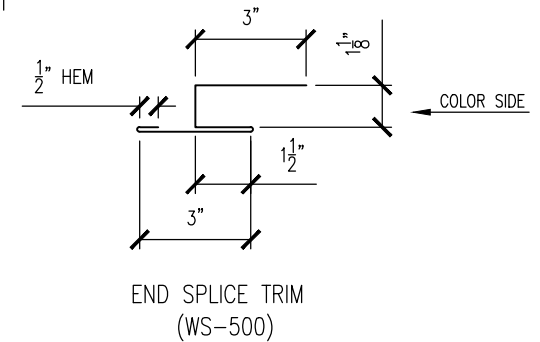
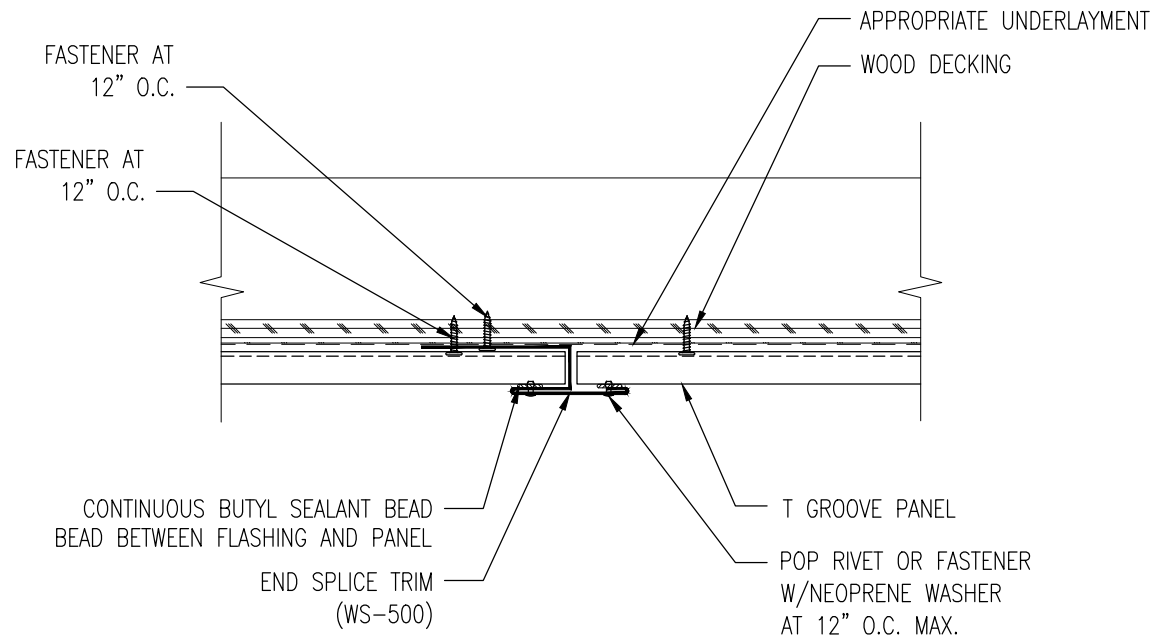
<p>TRIM CLEAT WS-513</p> 	<p>ALTERNATE WALL TRIM WS-514</p> 	<p>BASE TRIM WS-515</p> 	<p>Z METAL TRIM (SMALL) WS-516</p> 
<p>CUSTOM OUTSIDE CORNER WS-517</p> 	<p>CUSTOM INSIDE CORNER WS-518</p> 		

Western States Metal Roofing

901 W. Watkins St.
 Phoenix, AZ 85007
www.MetalForRoofing.com
www.RustedRoofing.com
www.MetalDeck.com

Phone: (602) 495-0048
 Fax: (602) 261-7726
 877-PURLINS (787-5467)

<p>STANDARD TRIM</p>			
		<p>A</p>	<p>05-20-13</p>
<p>PANEL TYPE: T GROOVE</p>		<p>REV:</p>	<p>DATE:</p>
		<p>DETAIL #: TG-WSD-ST6</p>	



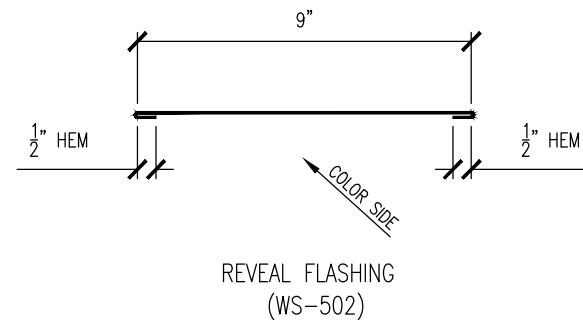
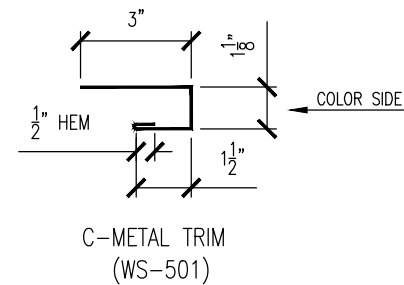
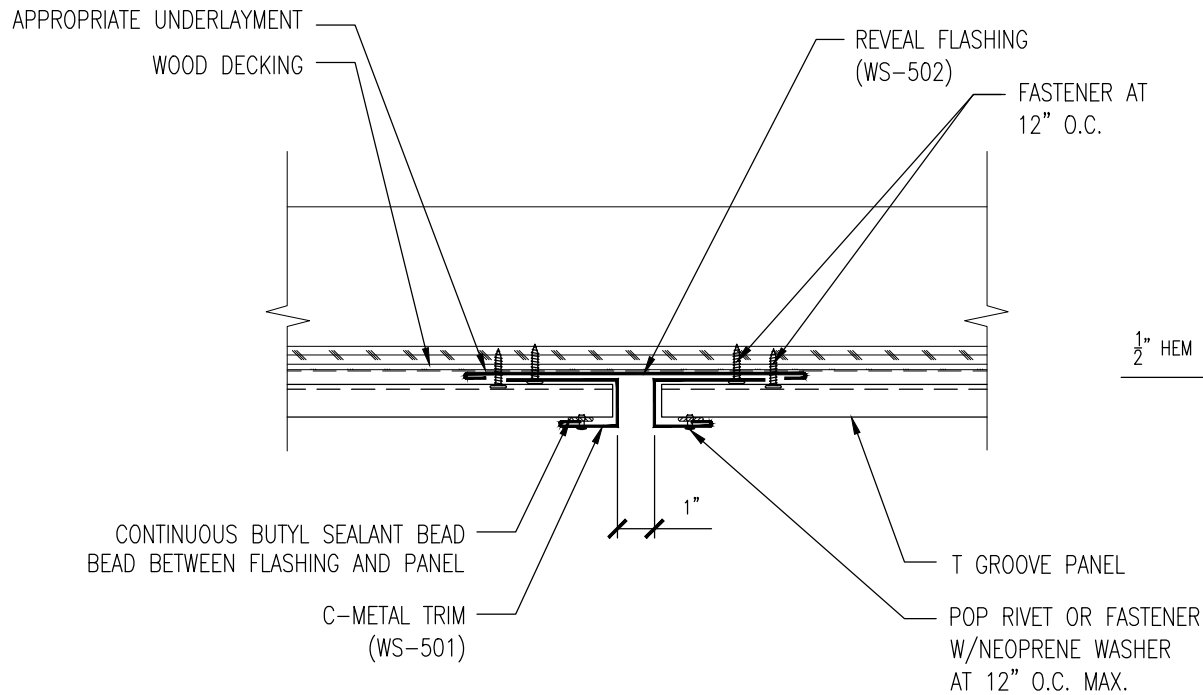
GAUGE: _____	COLOR: _____
LENGTH: _____	FINISH: _____
MATERIAL: _____	

Western States Metal Roofing

901 W. Watkins St.
 Phoenix, AZ 85007
www.MetalForRoofing.com
www.RustedRoofing.com
www.MetalDeck.com

Phone: (602) 495-0048
 Fax: (602) 261-7726
 877-PURLINS (787-5467)

SOFFIT END SPLICE DETAIL		
	A	05-20-13
PANEL TYPE: 1" SOFFIT/T GROOVE	REV:	DATE:
	DETAIL #: TG-WSD-S1	



HORIZONTAL WALL INSTALL

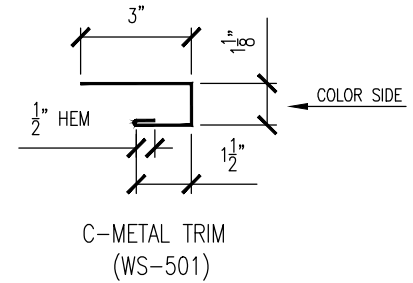
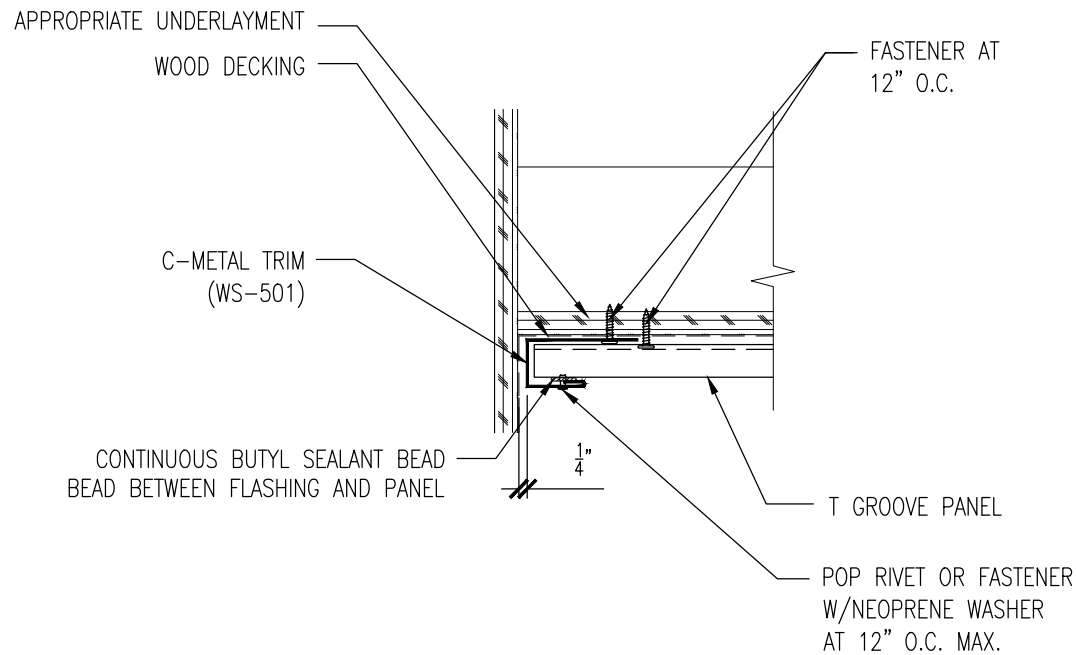
GAUGE: _____	COLOR: _____
LENGTH: _____	FINISH: _____
MATERIAL: _____	

Western States Metal Roofing

901 W. Watkins St.
 Phoenix, AZ 85007
 www.MetalForRoofing.com
 www.RustedRoofing.com
 www.MetalDeck.com

Phone: (602) 495-0048
 Fax: (602) 261-7726
 877-PURLINS (787-5467)

WALL/SOFFIT END SPLICE DETAIL		
	A	05-20-13
PANEL TYPE: 1" SOFFIT/T GROOVE	REV:	DATE:
	DETAIL #: TG-WSD-SW2	



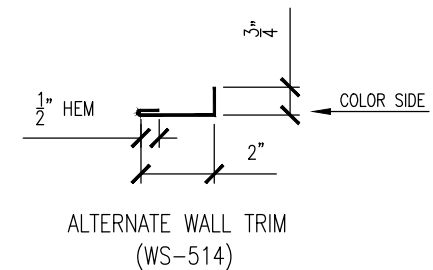
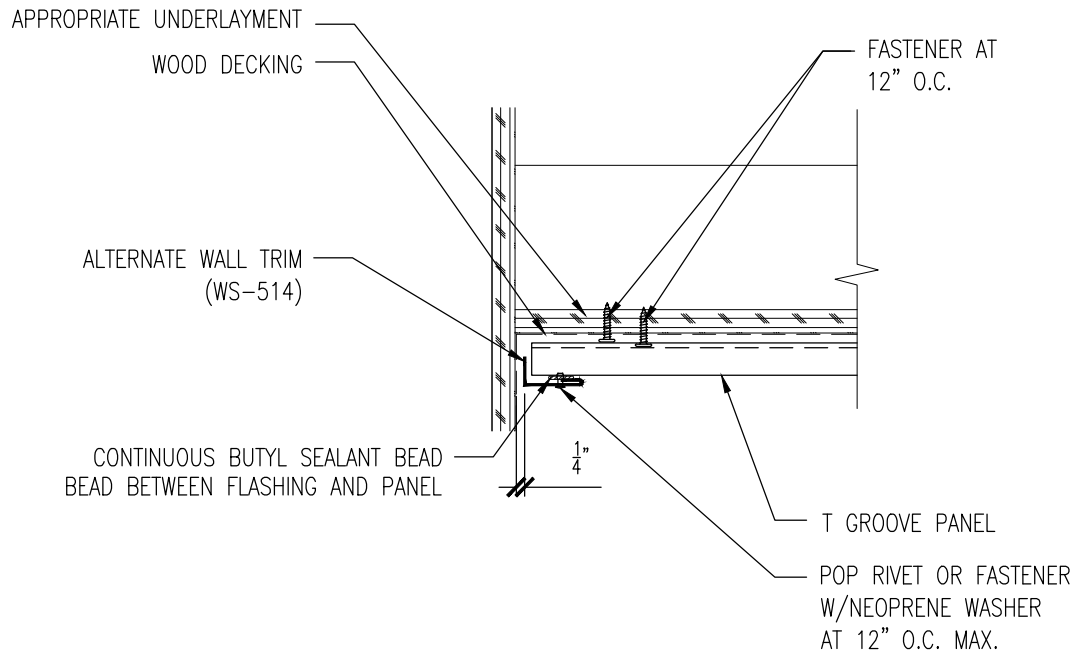
GAUGE: _____	COLOR: _____
LENGTH: _____	FINISH: _____
MATERIAL: _____	

Western States Metal Roofing

901 W. Watkins St.
 Phoenix, AZ 85007
www.MetalForRoofing.com
www.RustedRoofing.com
www.MetalDeck.com

Phone: (602) 495-0048
 Fax: (602) 261-7726
 877-PURLINS (787-5467)

SOFFIT END WALL DETAIL		
	A	05-20-13
PANEL TYPE: T GROOVE	REV:	DATE:
	DETAIL #: TG-WSD-S3	



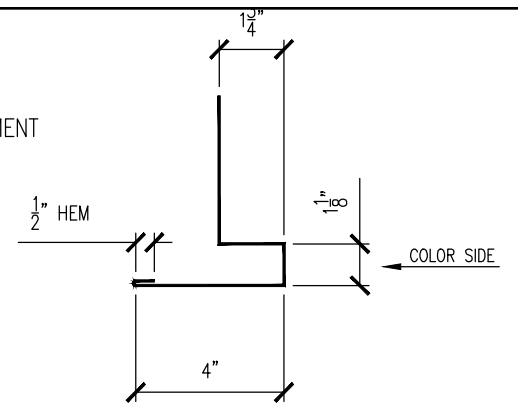
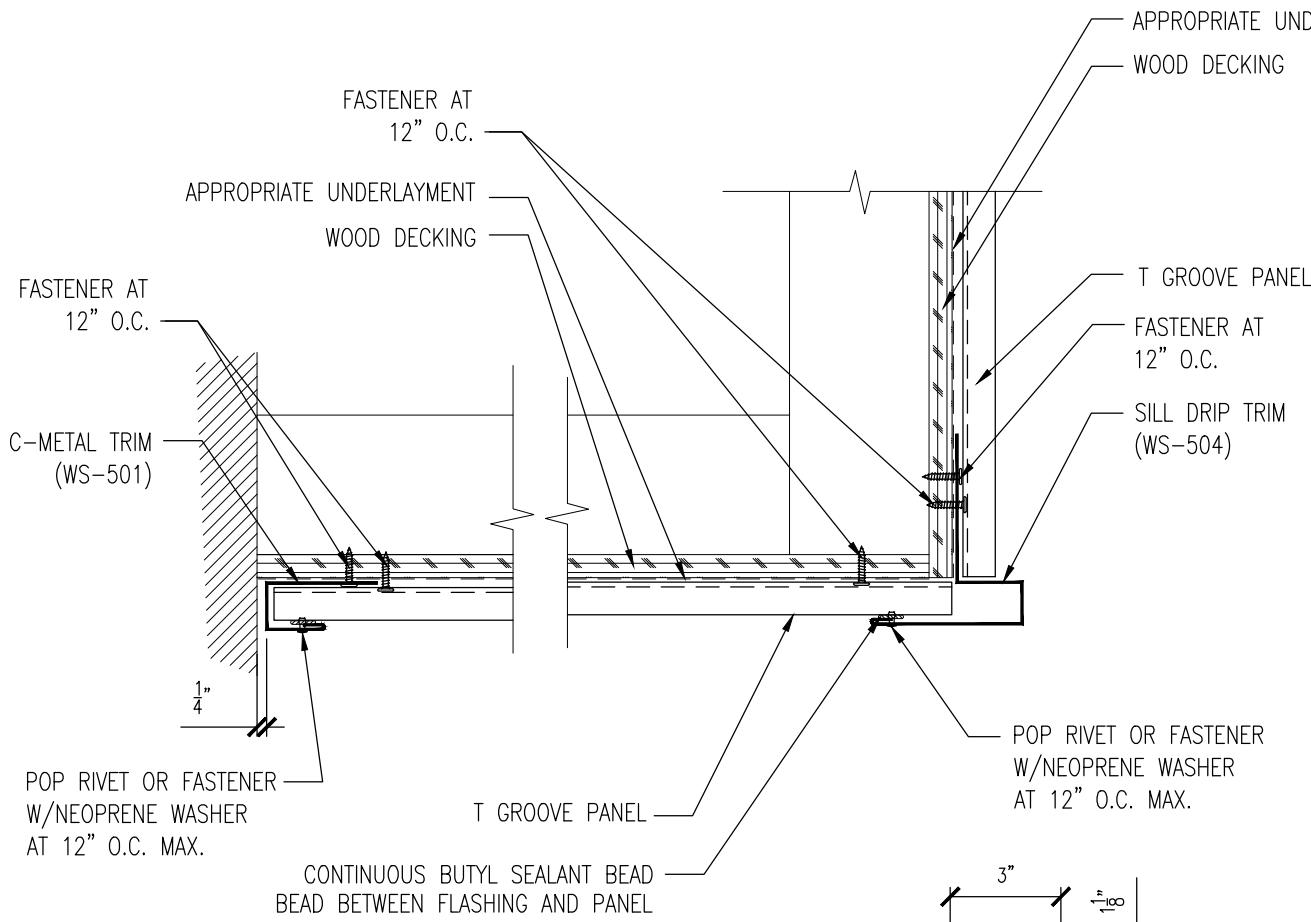
GAUGE: _____	COLOR: _____
LENGTH: _____	FINISH: _____
MATERIAL: _____	

Western States Metal Roofing

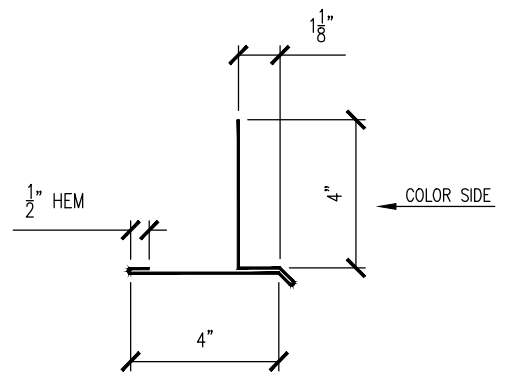
901 W. Watkins St.
 Phoenix, AZ 85007
www.MetalForRoofing.com
www.RustedRoofing.com
www.MetalDeck.com

Phone: (602) 495-0048
 Fax: (602) 261-7726
 877-PURLINS (787-5467)

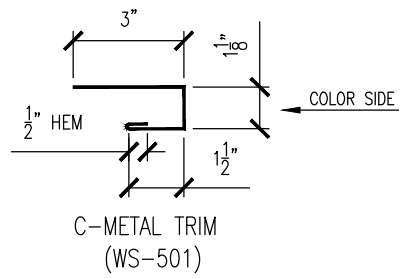
ALTERNATE SOFFIT END WALL DETAIL		
	A	05-20-13
PANEL TYPE: T GROOVE	REV:	DATE:
	DETAIL #: TG-WSD-SW4	



SILL DRIP TRIM (WS-504)



ALTERNATE SILL DRIP TRIM (WS-505)



C-METAL TRIM (WS-501)

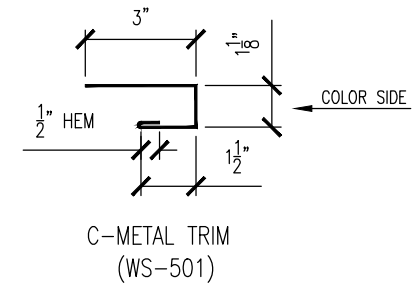
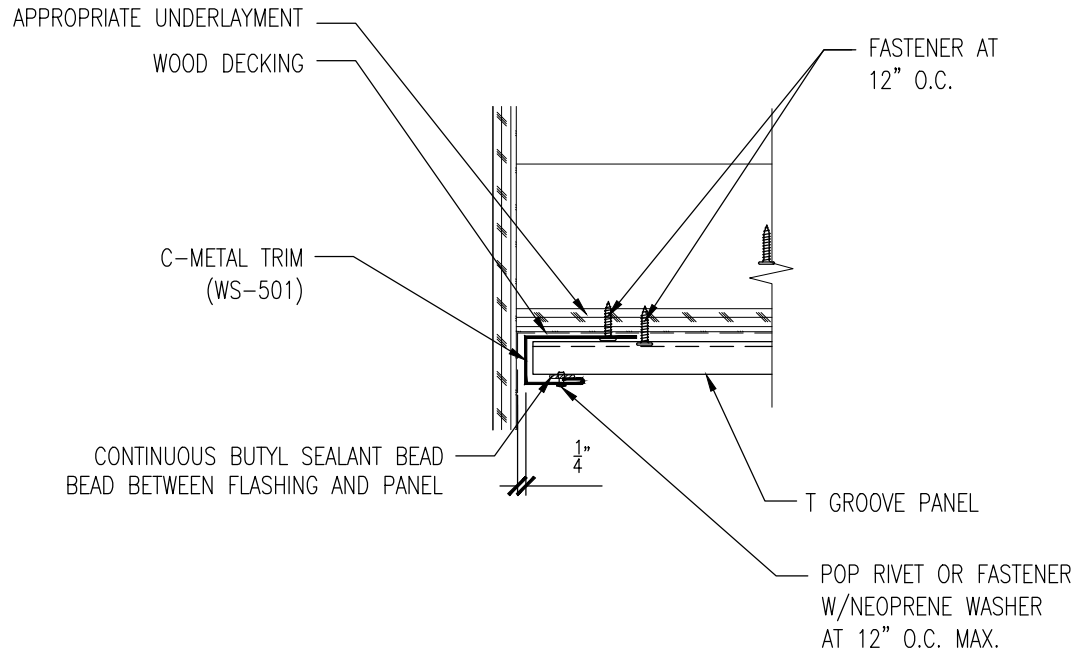
GAUGE: _____	COLOR: _____
LENGTH: _____	FINISH: _____
MATERIAL: _____	

Western States Metal Roofing

901 W. Watkins St.
 Phoenix, AZ 85007
www.MetalForRoofing.com
www.RustedRoofing.com
www.MetalDeck.com

Phone: (602) 495-0048
 Fax: (602) 261-7726
 877-PURLINS (787-5467)

SOFFIT TO WALL DRIP DETAIL		
	A	05-20-13
PANEL TYPE: T GROOVE	REV:	DATE:
	DETAIL #: TG-WSD-SW5	



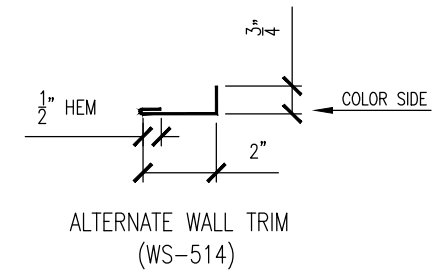
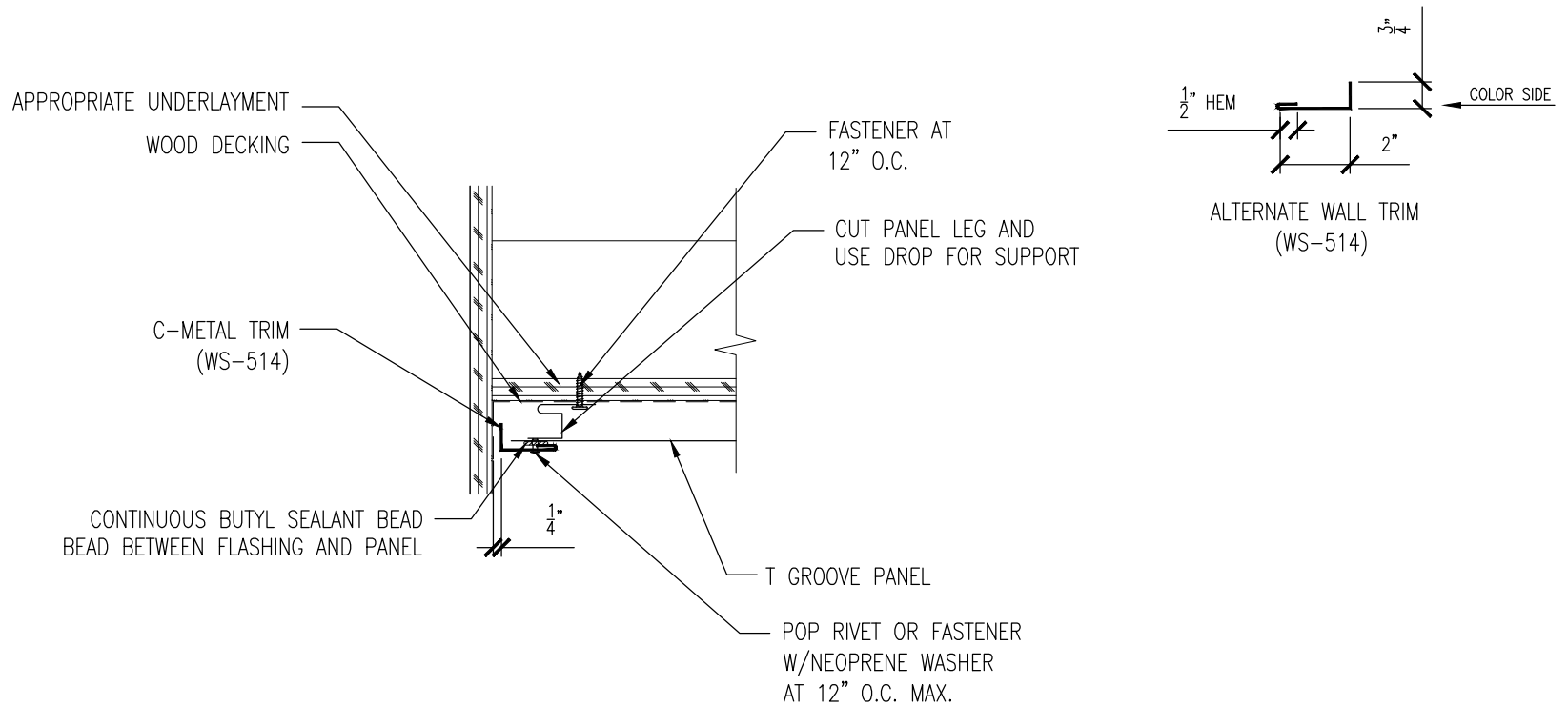
Western States Metal Roofing

901 W. Watkins St.
 Phoenix, AZ 85007
www.MetalForRoofing.com
www.RustedRoofing.com
www.MetalDeck.com

Phone: (602) 495-0048
 Fax: (602) 261-7726
 877-PURLINS (787-5467)

GAUGE: _____	COLOR: _____
LENGTH: _____	FINISH: _____
MATERIAL: _____	

HORIZONTAL SIDING END WALL DETAIL		
	A	05-20-13
PANEL TYPE: T GROOVE	REV:	DATE:
	DETAIL #: TG-WSD-W6	



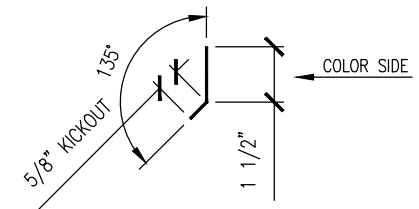
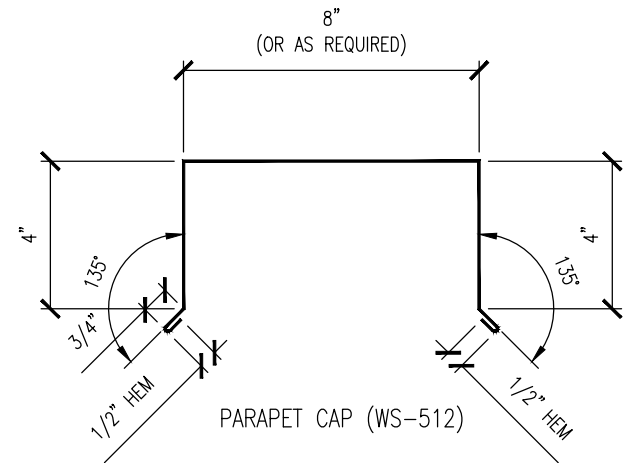
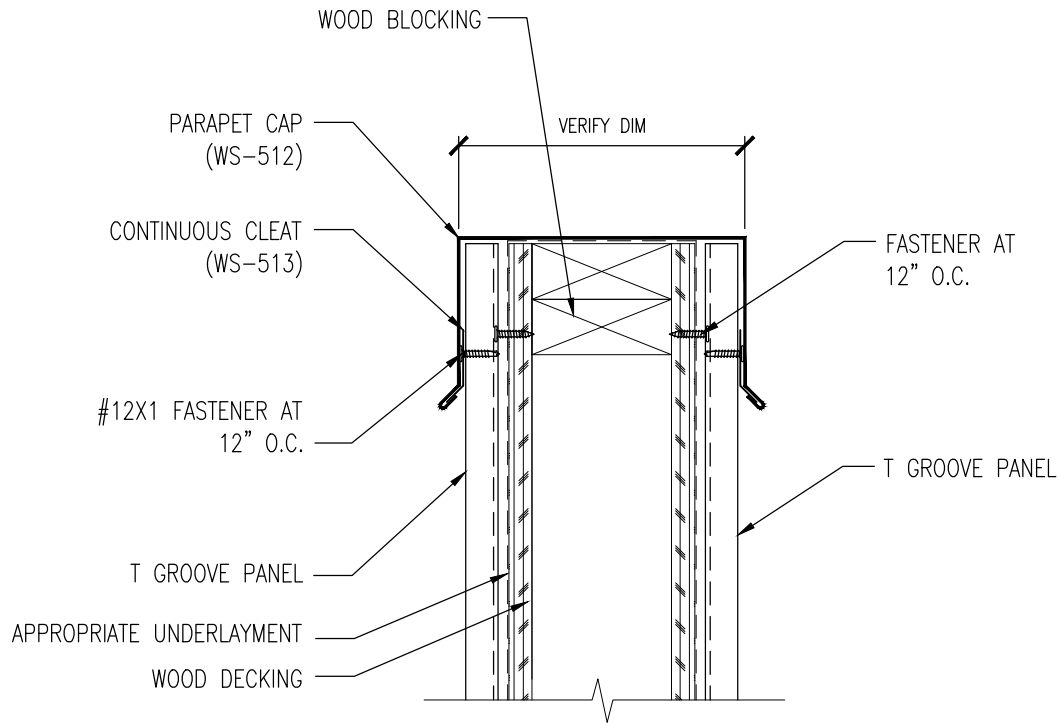
GAUGE: _____	COLOR: _____
LENGTH: _____	FINISH: _____
MATERIAL: _____	

Western States Metal Roofing

901 W. Watkins St.
 Phoenix, AZ 85007
www.MetalForRoofing.com
www.RustedRoofing.com
www.MetalDeck.com

Phone: (602) 495-0048
 Fax: (602) 261-7726
 877-PURLINS (787-5467)

VERTICAL SIDING END WALL DETAIL		
	A	05-20-13
PANEL TYPE: T GROOVE	REV:	DATE:
	DETAIL #: TG-WSD-SW7	



VERTICAL WALL INSTALL

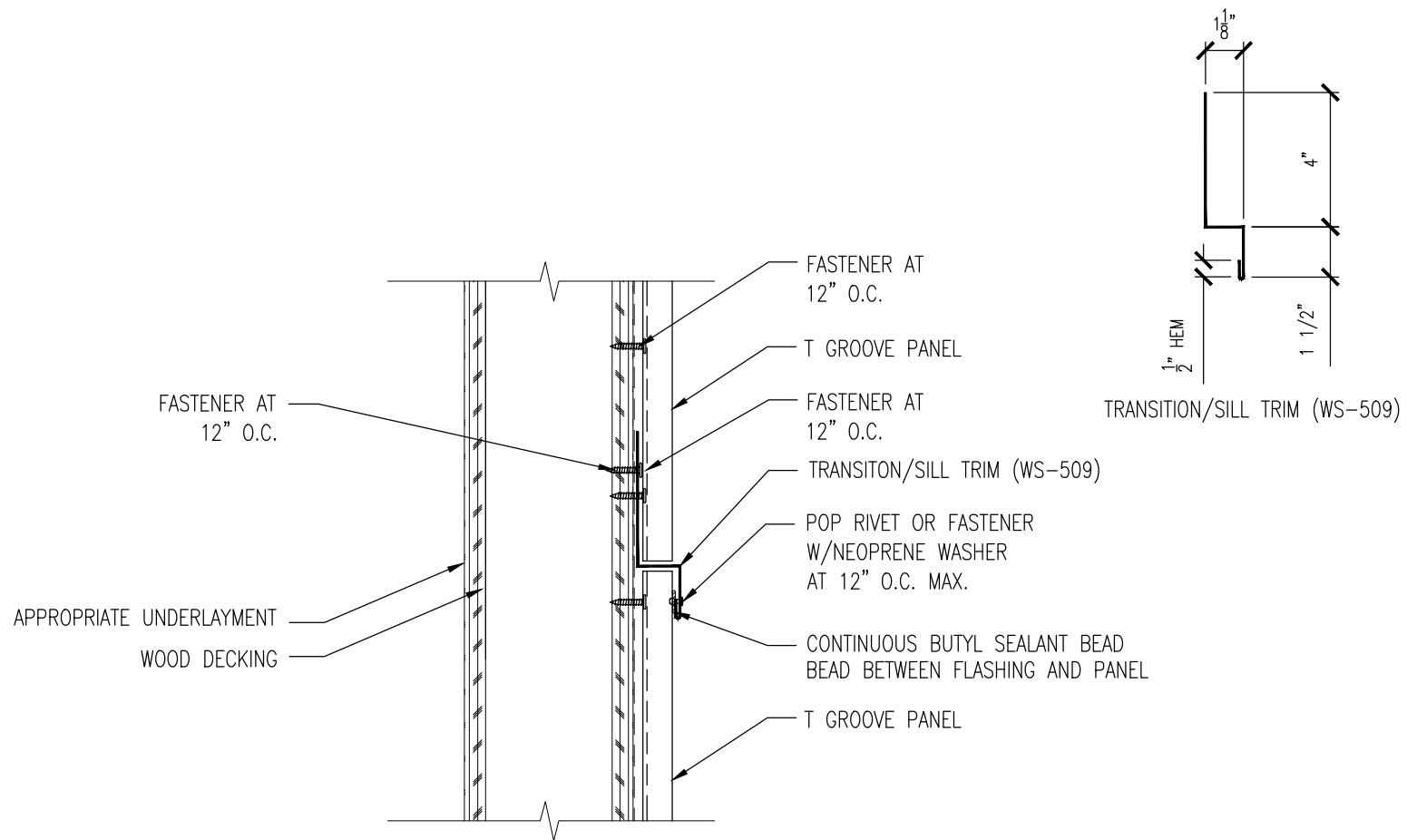
GAUGE: _____	COLOR: _____
LENGTH: _____	FINISH: _____
MATERIAL: _____	

Western States Metal Roofing

901 W. Watkins St.
 Phoenix, AZ 85007
www.MetalForRoofing.com
www.RustedRoofing.com
www.MetalDeck.com

Phone: (602) 495-0048
 Fax: (602) 261-7726
 877-PURLINS (787-5467)

PARAPET WALL DETAIL		
	A	05-20-13
PANEL TYPE: T GROOVE	REV:	DATE:
	DETAIL #:	TG-WSD-W8



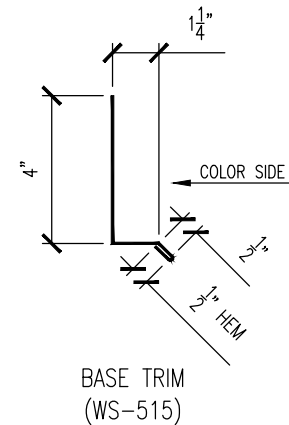
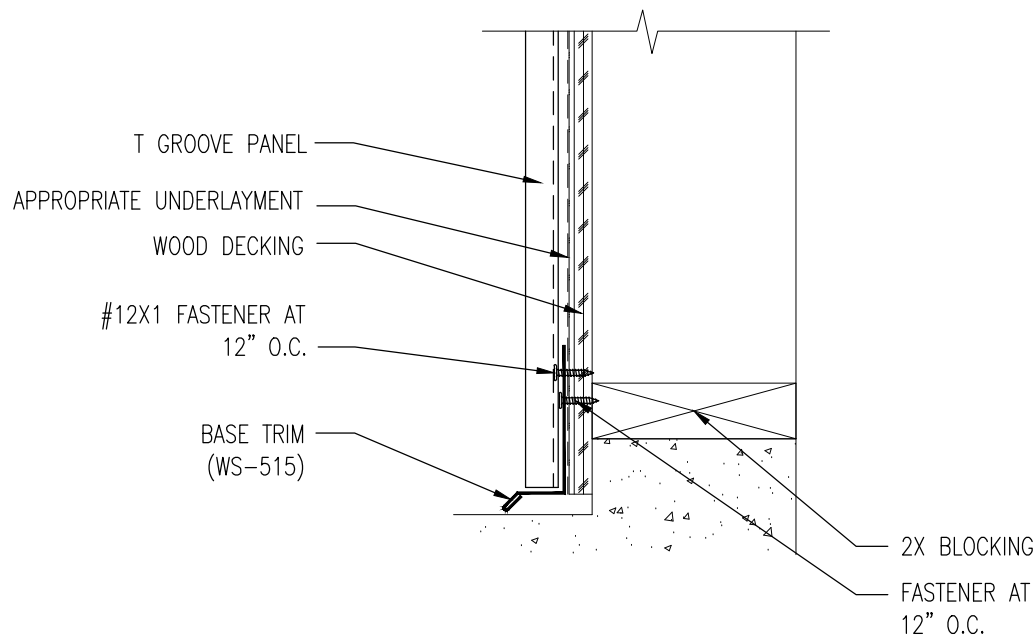
VERTICAL WALL INSTALL

GAUGE: _____		COLOR: _____	
LENGTH: _____		FINISH: _____	
MATERIAL: _____			
SPLICE/SILL DETAIL		A	05-20-13
		REV:	DATE:
PANEL TYPE: T GROOVE		DETAIL #:	
		TG-WSD-W9	

Western States Metal Roofing

901 W. Watkins St.
 Phoenix, AZ 85007
www.MetalForRoofing.com
www.RustedRoofing.com
www.MetalDeck.com

Phone: (602) 495-0048
 Fax: (602) 261-7726
 877-PURLINS (787-5467)



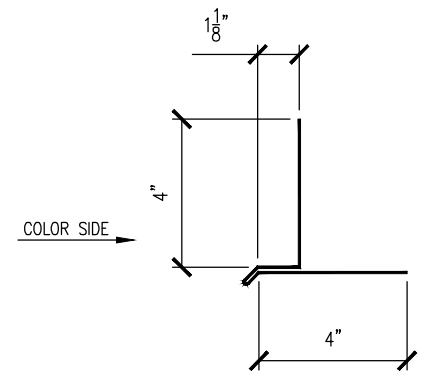
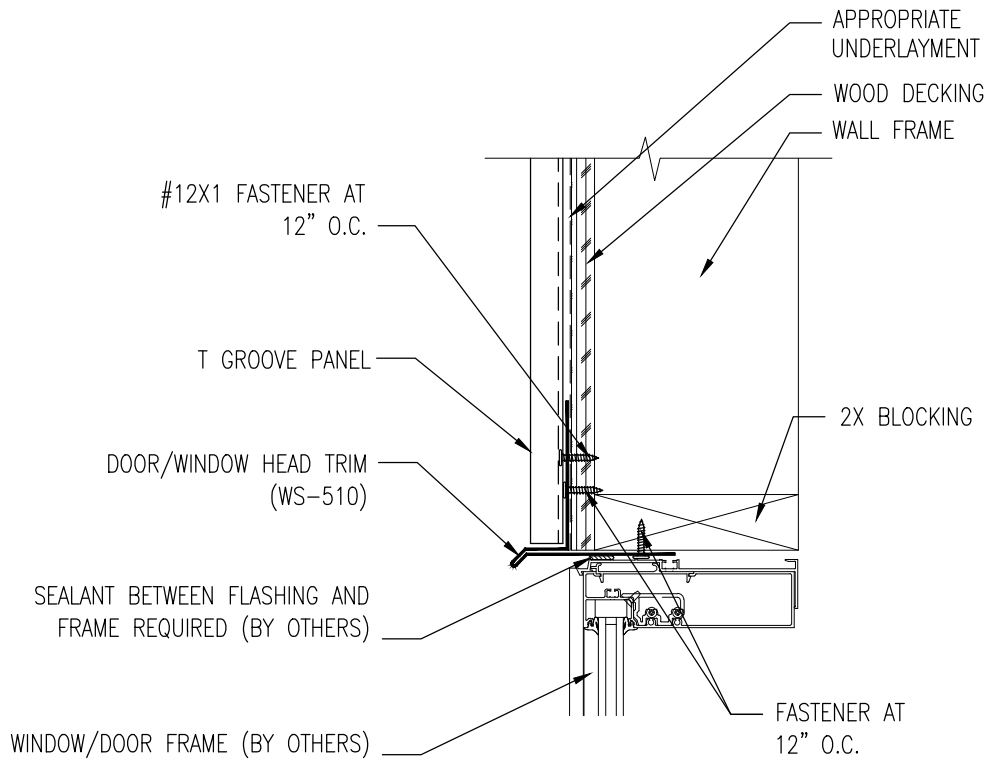
Western States Metal Roofing

901 W. Watkins St.
 Phoenix, AZ 85007
www.MetalForRoofing.com
www.RustedRoofing.com
www.MetalDeck.com

Phone: (602) 495-0048
 Fax: (602) 261-7726
 877-PURLINS (787-5467)

GAUGE: _____	COLOR: _____
LENGTH: _____	FINISH: _____
MATERIAL: _____	

BASE DETAIL		
	A	05-20-13
PANEL TYPE: T GROOVE	REV:	DATE:
	DETAIL #: TG-WSD-W10	



DOOR/WINDOW HEAD TRIM (WS-510)

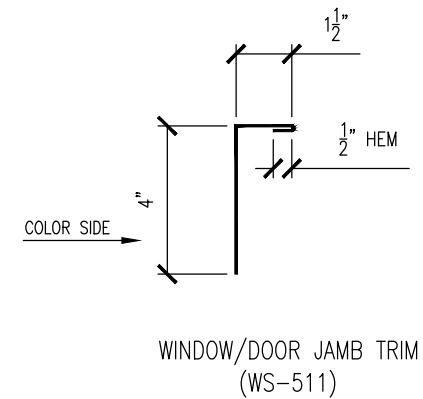
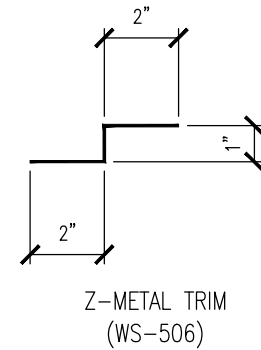
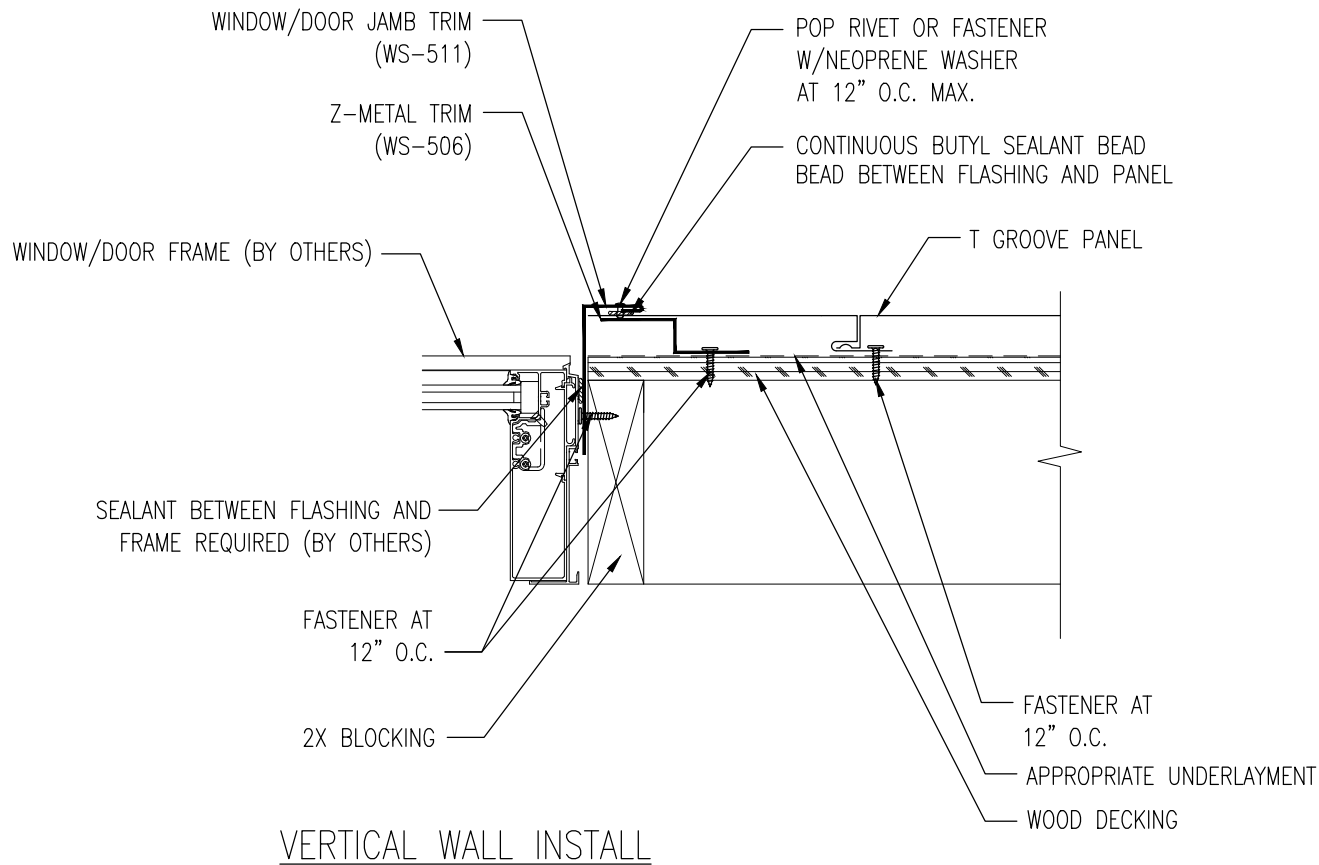
VERTICAL WALL INSTALL

GAUGE: _____	COLOR: _____
LENGTH: _____	FINISH: _____
MATERIAL: _____	

Western States Metal Roofing

901 W. Watkins St. Phone: (602) 495-0048
 Phoenix, AZ 85007 Fax: (602) 261-7726
 www.MetalForRoofing.com 877-PURLINS (787-5467)
 www.RustedRoofing.com
 www.MetalDeck.com

DOOR/WINDOW SILL AND HEAD DETAIL		
	A	05-20-13
PANEL TYPE: T GROOVE	REV:	DATE:
	DETAIL #: TG-WSD-W11	



VERTICAL WALL INSTALL

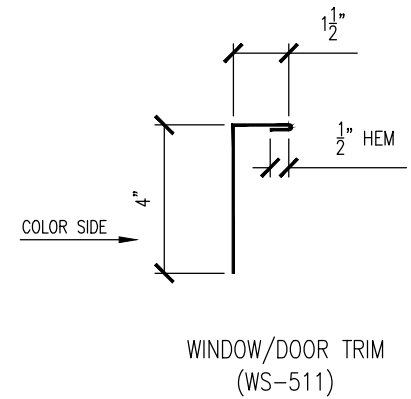
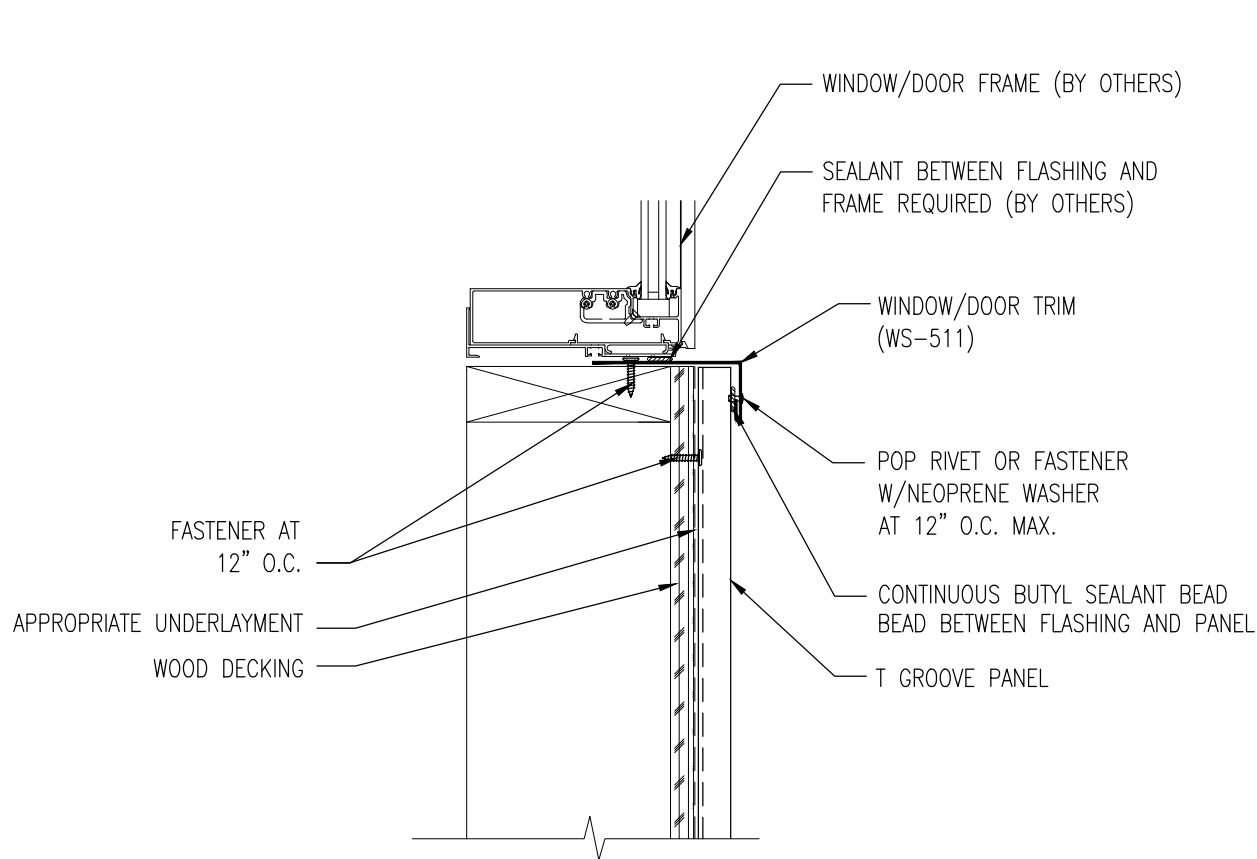
GAUGE: _____	COLOR: _____
LENGTH: _____	FINISH: _____
MATERIAL: _____	

Western States Metal Roofing

901 W. Watkins St.
 Phoenix, AZ 85007
www.MetalForRoofing.com
www.RustedRoofing.com
www.MetalDeck.com

Phone: (602) 495-0048
 Fax: (602) 261-7726
 877-PURLINS (787-5467)

WINDOW/DOOR JAMB DETAIL		
	A	05-20-13
PANEL TYPE: T GROOVE	REV:	DATE:
	DETAIL #: TG-WSD-W12	



VERTICAL WALL INSTALL

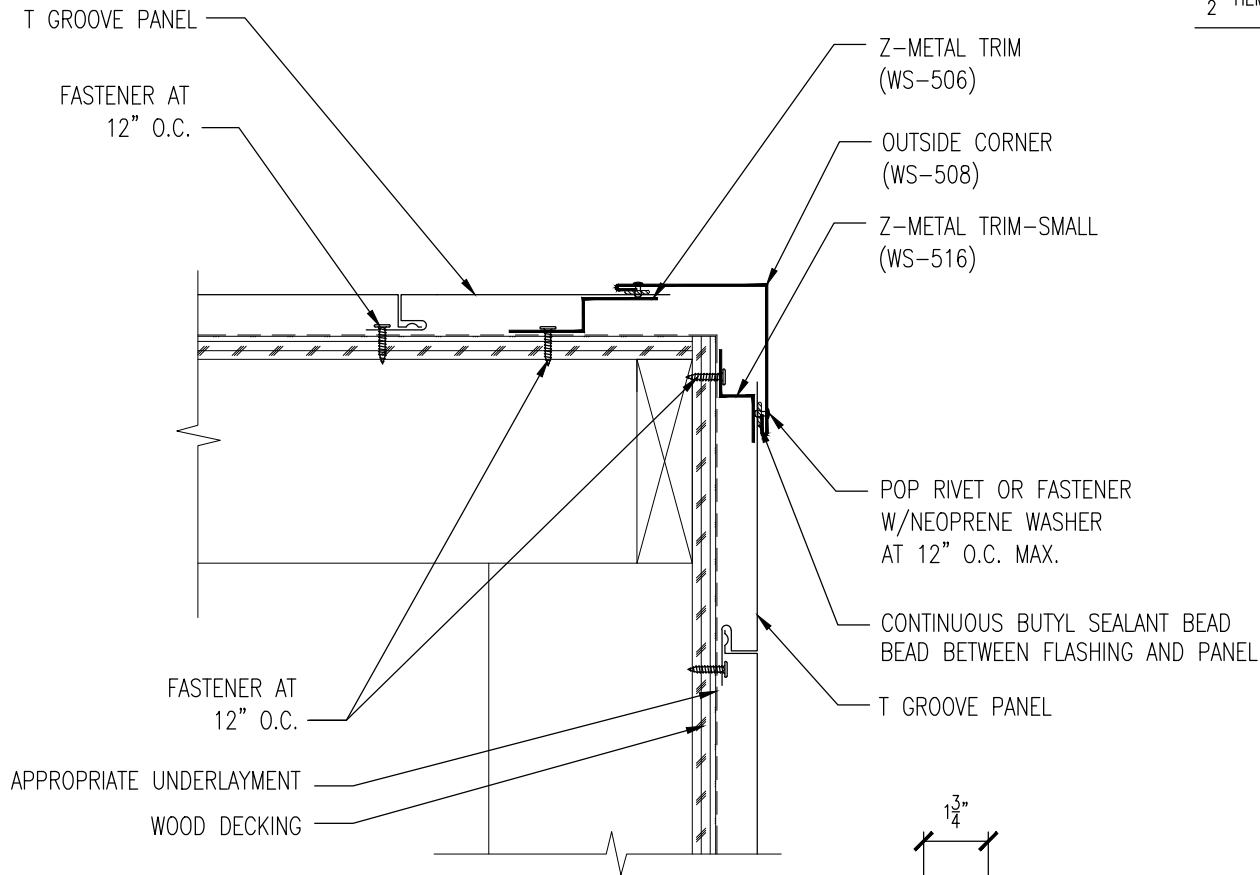
GAUGE: _____	COLOR: _____
LENGTH: _____	FINISH: _____
MATERIAL: _____	

Western States Metal Roofing

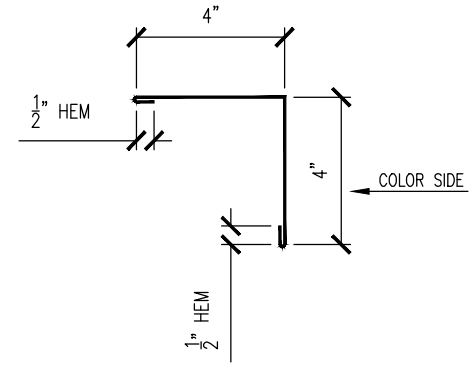
901 W. Watkins St.
 Phoenix, AZ 85007
www.MetalForRoofing.com
www.RustedRoofing.com
www.MetalDeck.com

Phone: (602) 495-0048
 Fax: (602) 261-7726
 877-PURLINS (787-5467)

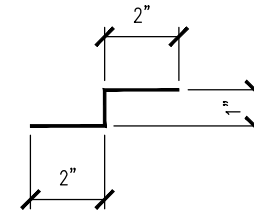
DOOR/WINDOW SILL DETAIL		
	A	05-20-13
PANEL TYPE: T GROOVE	REV:	DATE:
	DETAIL #: TG-WSD-W13	



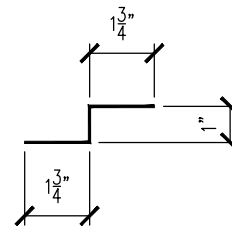
VERTICAL WALL INSTALL



OUTSIDE CORNER (WS-508)



Z-METAL TRIM (WS-506)



Z-METAL TRIM (SMALL) (WS-516)

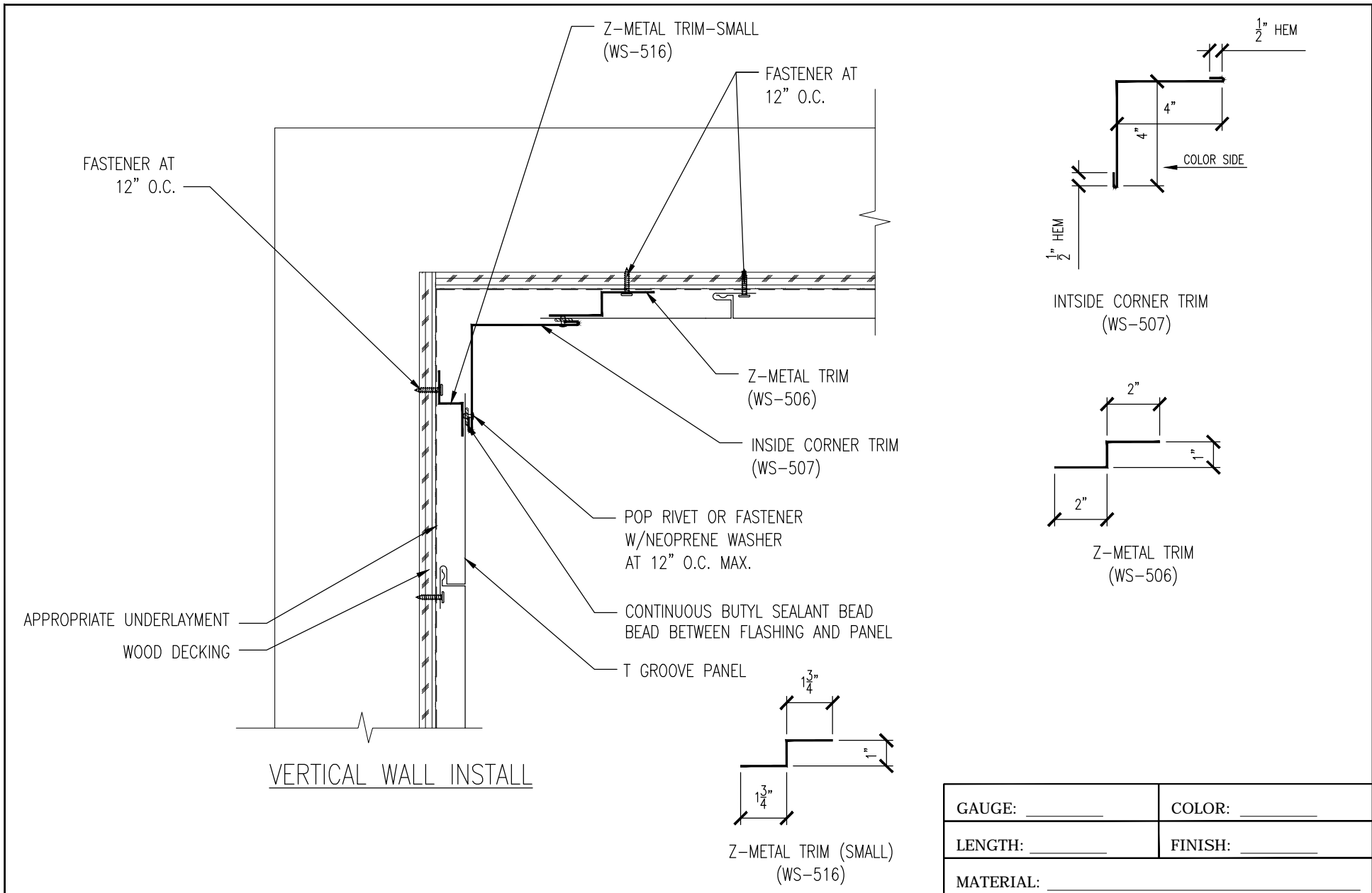
GAUGE: _____	COLOR: _____
LENGTH: _____	FINISH: _____
MATERIAL: _____	

OUTSIDE CORNER DETAIL		
	A	05-20-13
PANEL TYPE: T GROOVE	REV:	DATE:
	DETAIL #: TG-WSD-W14	

Western States Metal Roofing

901 W. Watkins St.
 Phoenix, AZ 85007
www.MetalForRoofing.com
www.RustedRoofing.com
www.MetalDeck.com

Phone: (602) 495-0048
 Fax: (602) 261-7726
 877-PURLINS (787-5467)

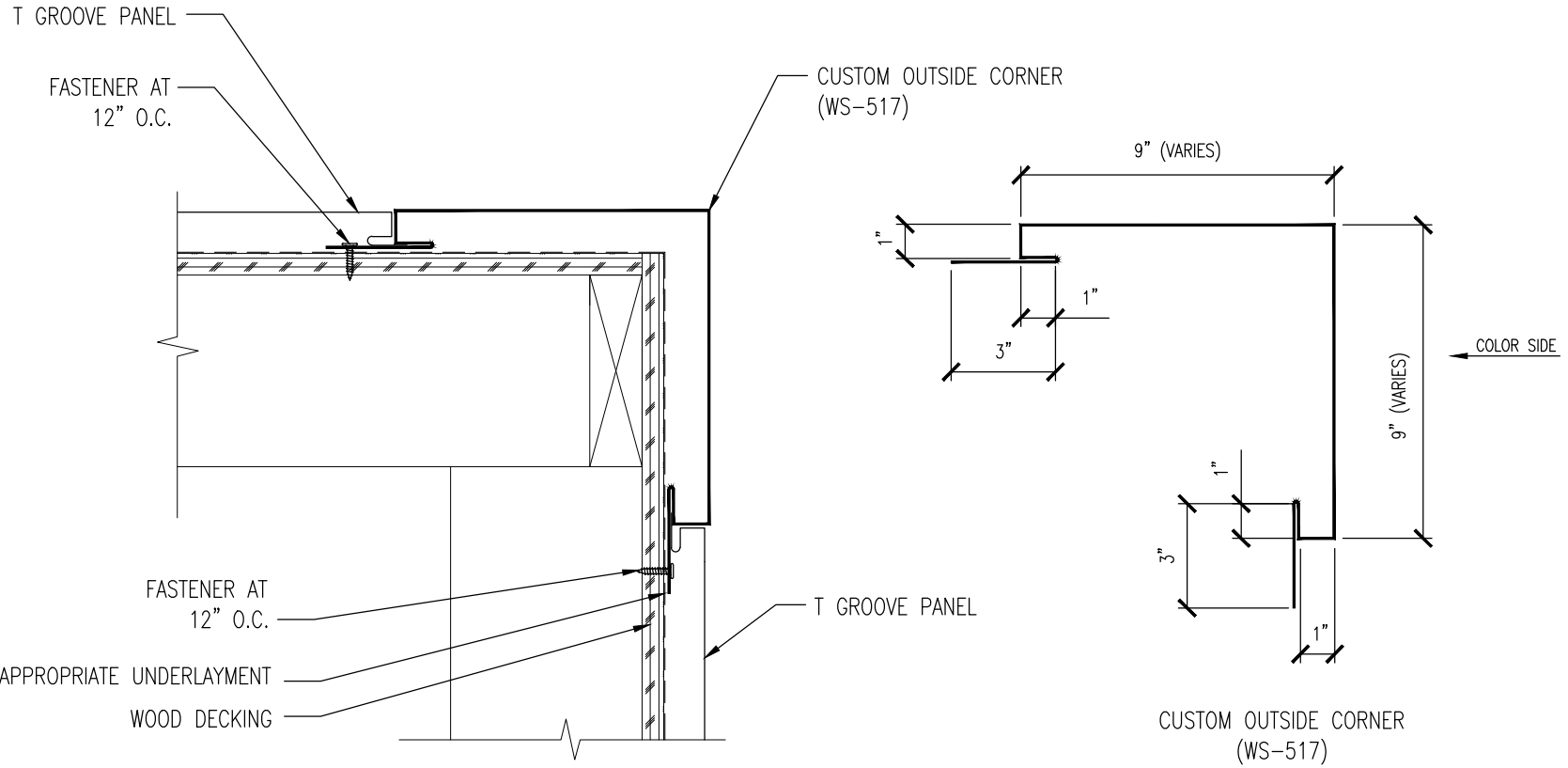


GAUGE: _____	COLOR: _____
LENGTH: _____	FINISH: _____
MATERIAL: _____	

Western States Metal Roofing

901 W. Watkins St. Phone: (602) 495-0048
 Phoenix, AZ 85007 Fax: (602) 261-7726
 www.MetalForRoofing.com 877-PURLINS (787-5467)
 www.RustedRoofing.com
 www.MetalDeck.com

INSIDE CORNER DETAIL		
	A	05-20-13
PANEL TYPE: T GROOVE	REV:	DATE:
	DETAIL #: TG-WSD-W15	



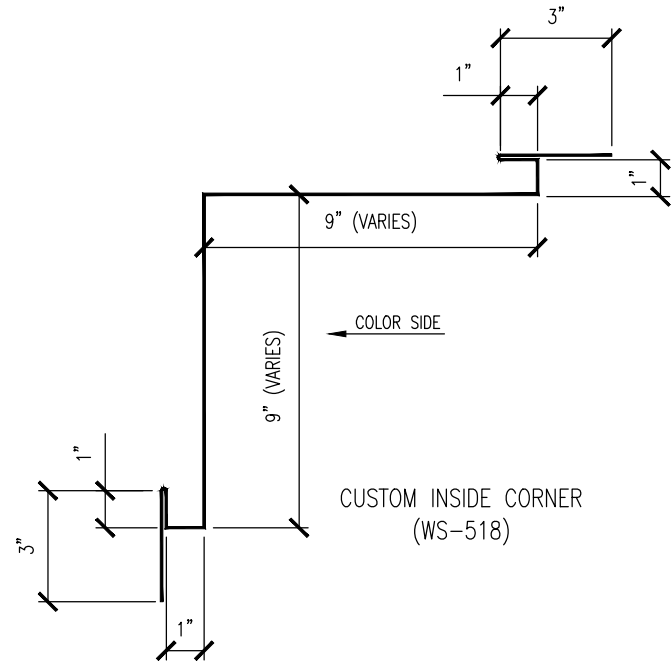
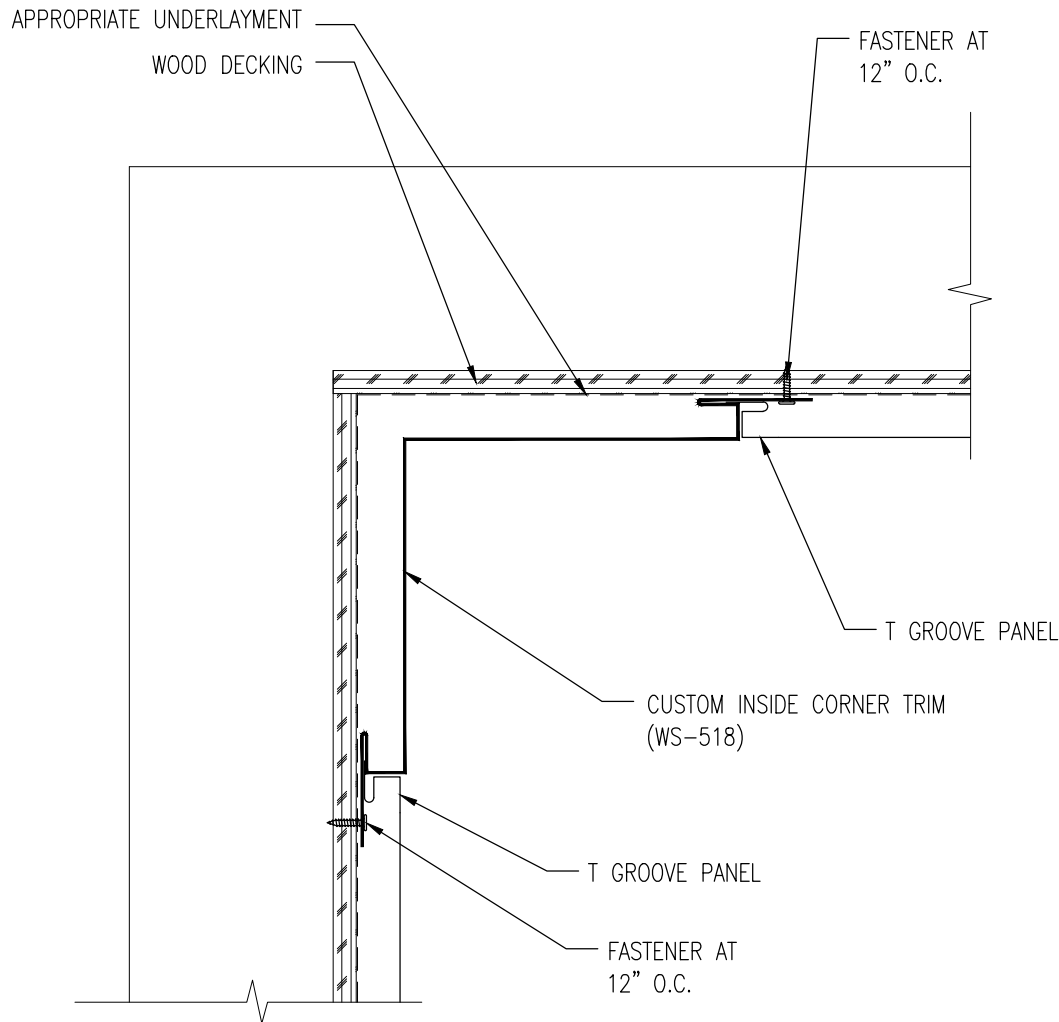
GAUGE: _____	COLOR: _____
LENGTH: _____	FINISH: _____
MATERIAL: _____	

Western States Metal Roofing

901 W. Watkins St.
 Phoenix, AZ 85007
www.MetalForRoofing.com
www.RustedRoofing.com
www.MetalDeck.com

Phone: (602) 495-0048
 Fax: (602) 261-7726
 877-PURLINS (787-5467)

CUSTOM OUTSIDE CORNER DETAIL		
	A	05-20-13
PANEL TYPE: T GROOVE	REV:	DATE:
	DETAIL #:	TG-WSD-W16



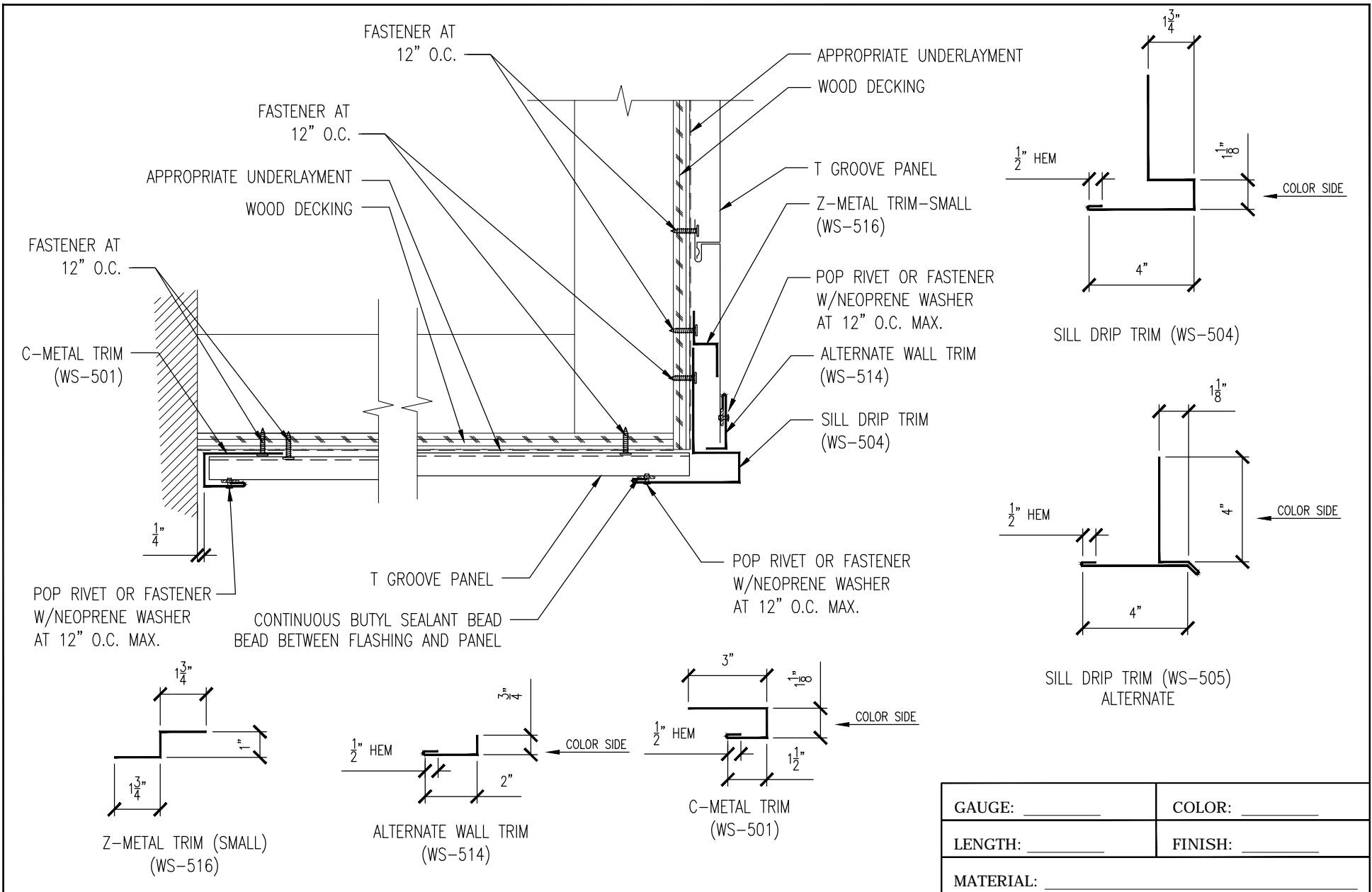
GAUGE: _____	COLOR: _____
LENGTH: _____	FINISH: _____
MATERIAL: _____	

Western States Metal Roofing

901 W. Watkins St.
 Phoenix, AZ 85007
www.MetalForRoofing.com
www.RustedRoofing.com
www.MetalDeck.com

Phone: (602) 495-0048
 Fax: (602) 261-7726
 877-PURLINS (787-5467)

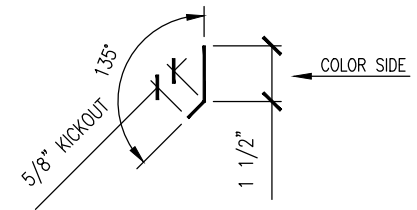
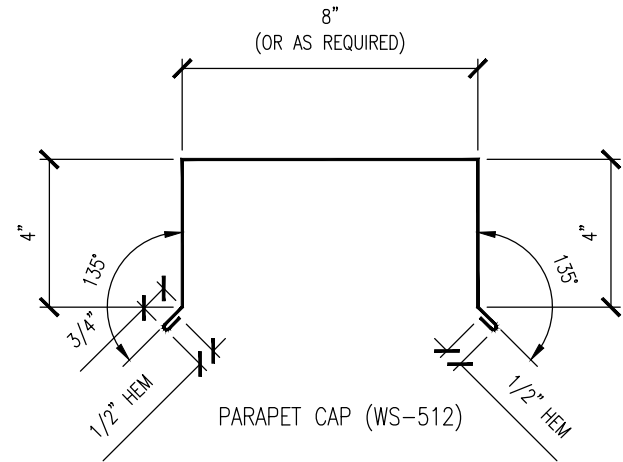
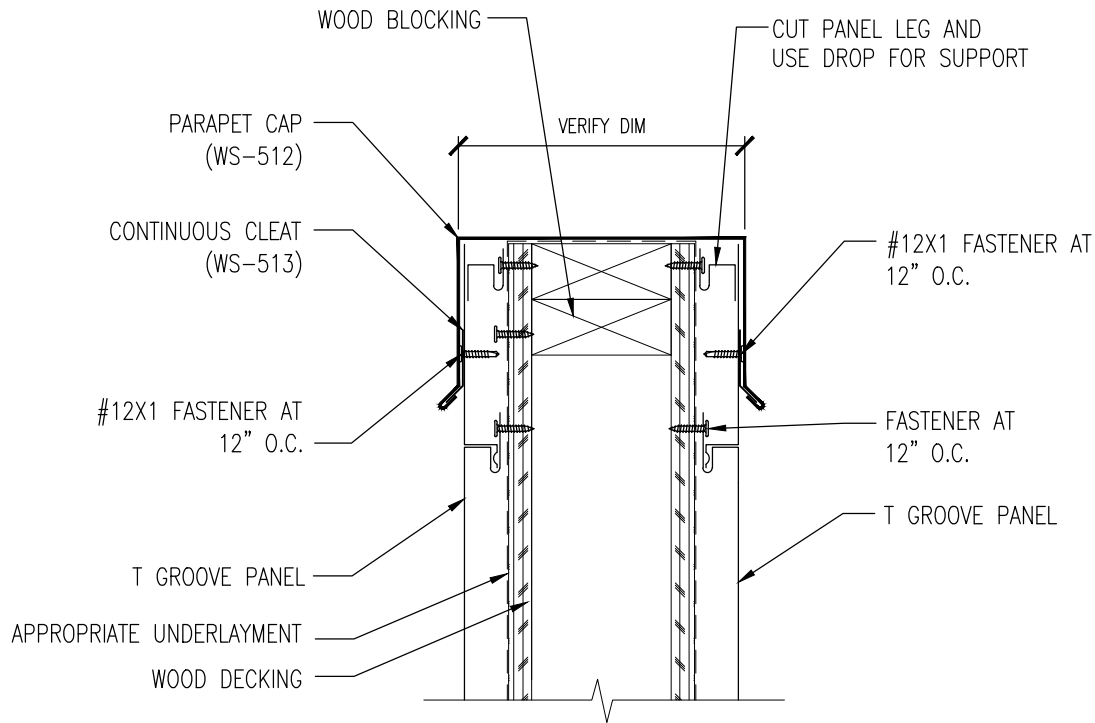
CUSTOM INSIDE CORNER DETAIL		
	A	05-20-13
PANEL TYPE: T GROOVE	REV:	DATE:
	DETAIL #: TG-WSD-W17	



Western States Metal Roofing
 901 W. Watkins St.
 Phoenix, AZ 85007
 www.MetalForRoofing.com
 www.RustedRoofing.com
 www.MetalDeck.com

Phone: (602) 495-0048
 Fax: (602) 261-7726
 877-PURLINS (787-5467)

GAUGE: _____	COLOR: _____		
LENGTH: _____	FINISH: _____		
MATERIAL: _____			
SOFFIT TO WALL HORIZONTAL DETAIL		A	05-20-13
		REV:	DATE:
PANEL TYPE: T GROOVE		DETAIL #: TG-WSD-W18	



CONTINUOUS CLEAT (WS-513)

GAUGE: _____	COLOR: _____
LENGTH: _____	FINISH: _____
MATERIAL: _____	

Western States Metal Roofing

901 W. Watkins St.
 Phoenix, AZ 85007
www.MetalForRoofing.com
www.RustedRoofing.com
www.MetalDeck.com

Phone: (602) 495-0048
 Fax: (602) 261-7726
 877-PURLINS (787-5467)

PARAPET WALL HORIZONTAL DETAIL

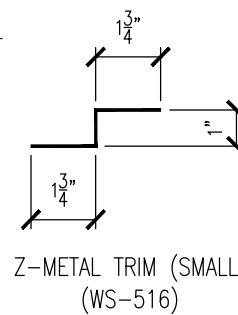
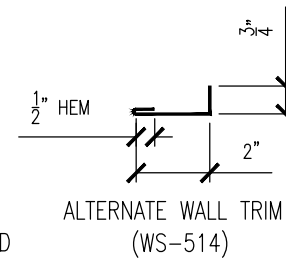
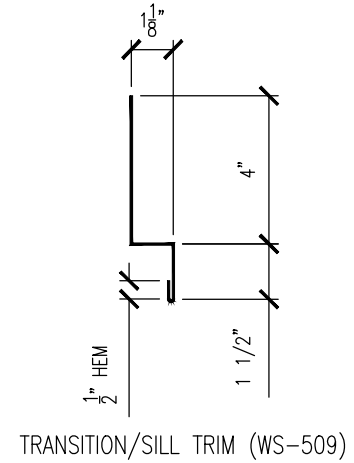
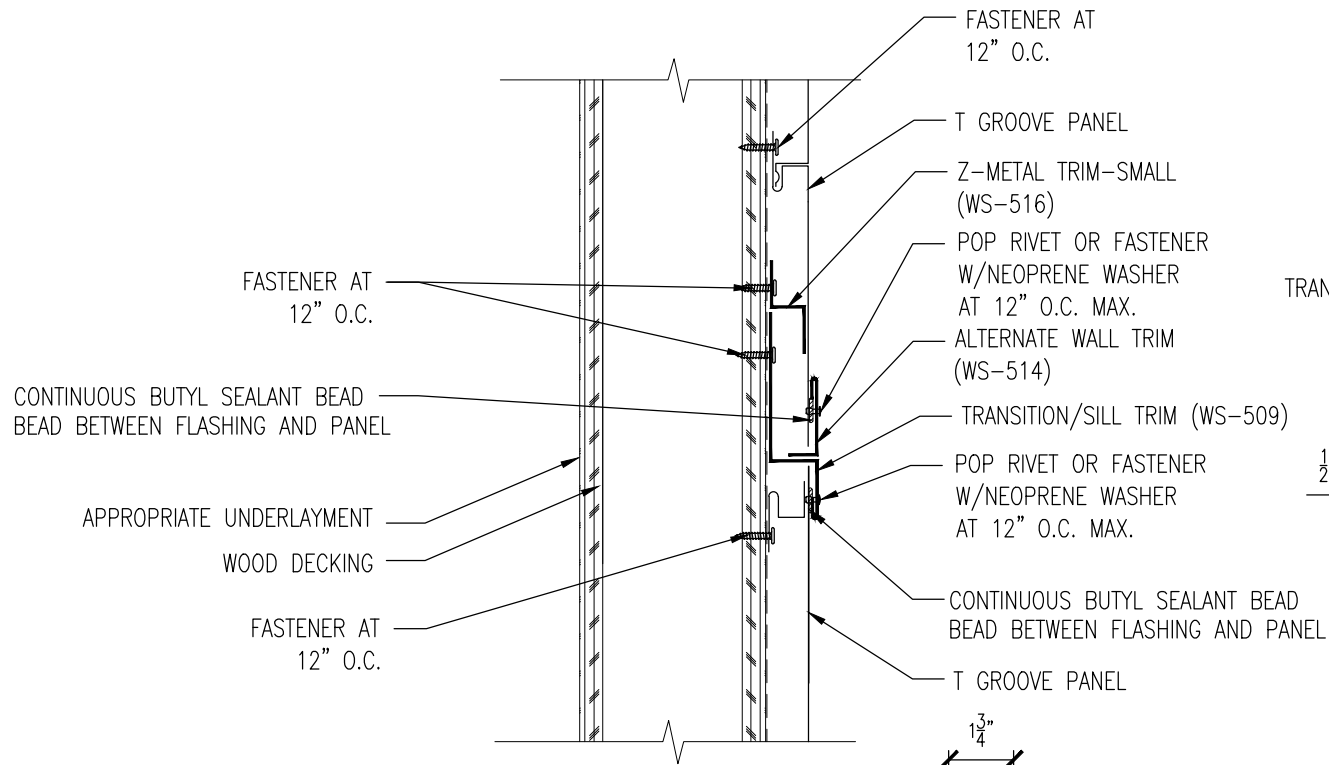
PANEL TYPE:

T GROOVE

A 05-20-13

REV: DATE:

DETAIL #:
TG-WSD-W19

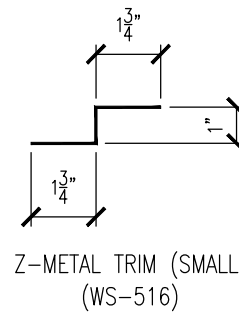
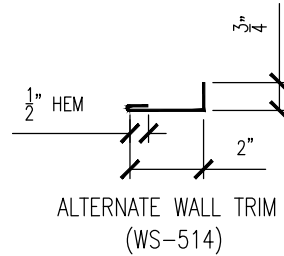
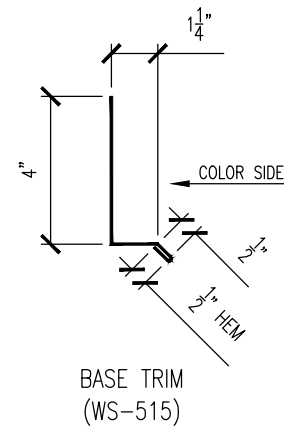
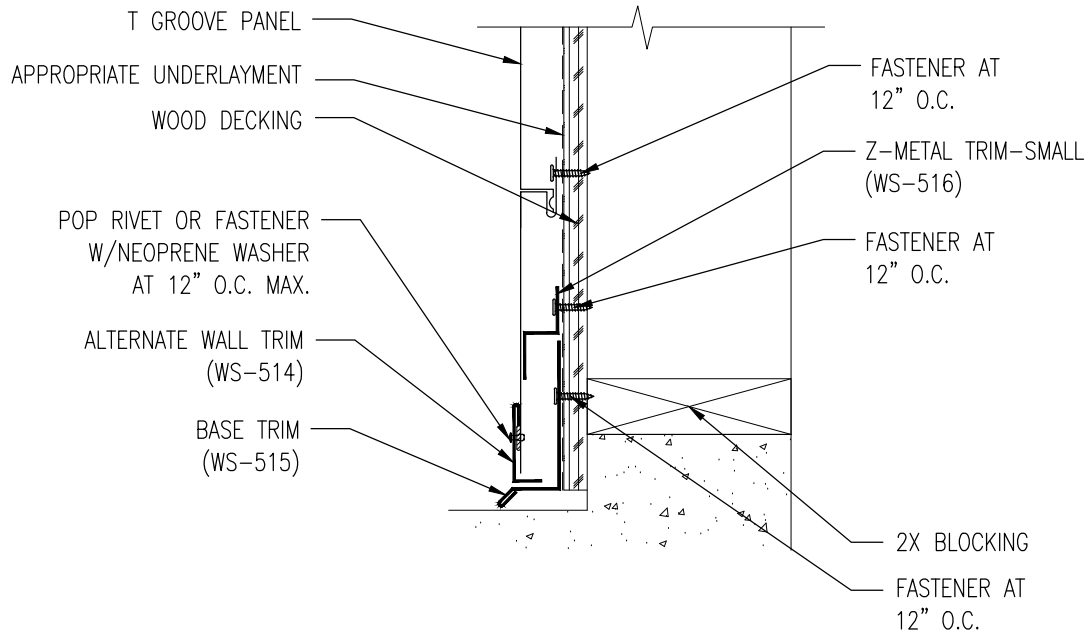


GAUGE: _____	COLOR: _____	
LENGTH: _____	FINISH: _____	
MATERIAL: _____		
SPLICE/SILL HORIZONTAL DETAIL	A	05-20-13
	REV:	DATE:
PANEL TYPE:	DETAIL #:	
T GROOVE	TG-WSD-W20	

Western States Metal Roofing

901 W. Watkins St.
 Phoenix, AZ 85007
www.MetalForRoofing.com
www.RustedRoofing.com
www.MetalDeck.com

Phone: (602) 495-0048
 Fax: (602) 261-7726
 877-PURLINS (787-5467)



2X BLOCKING
 FASTENER AT 12" O.C.

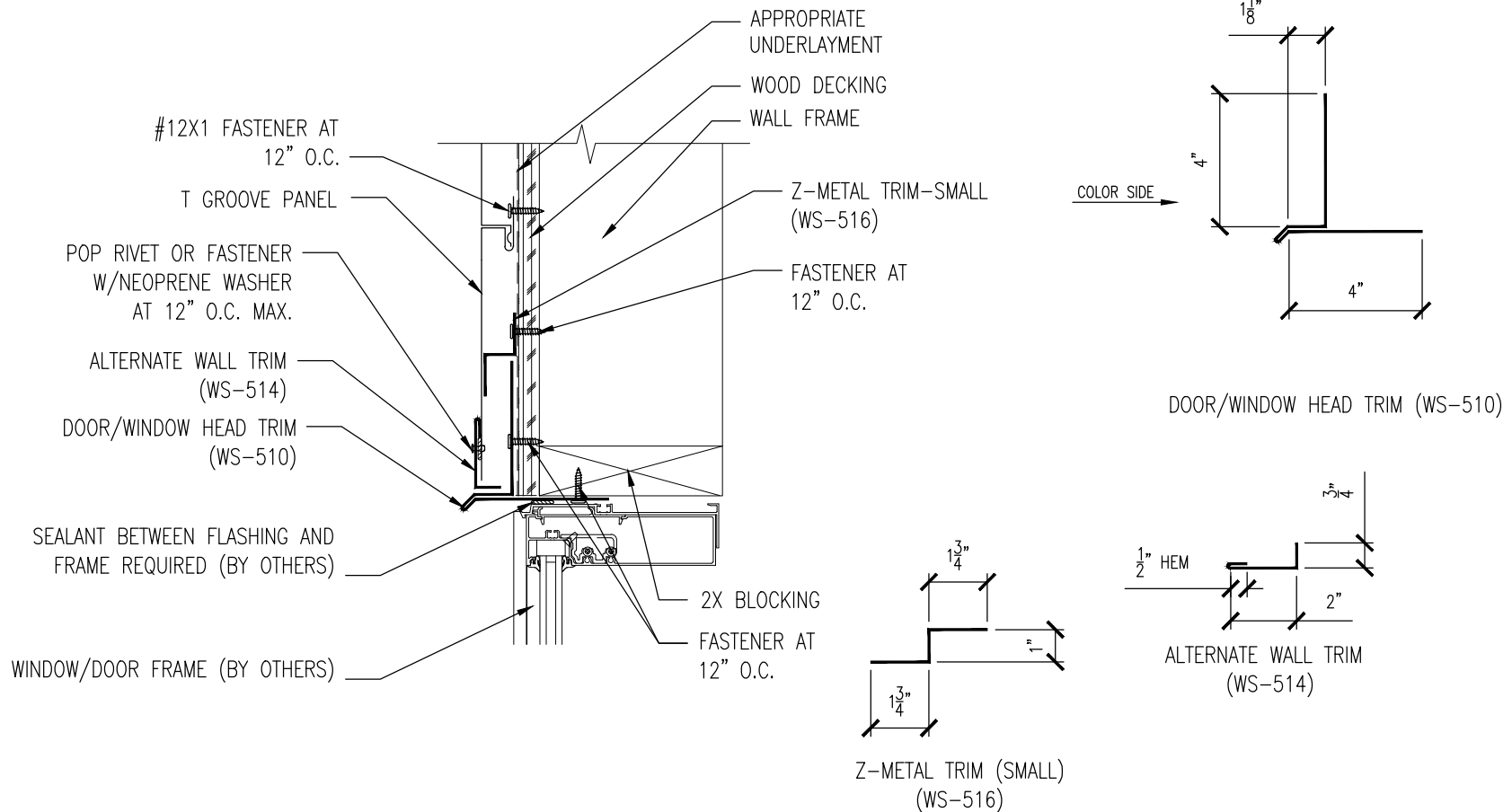
GAUGE: _____	COLOR: _____
LENGTH: _____	FINISH: _____
MATERIAL: _____	

BASE HORIZONTAL DETAIL		
	A	05-20-13
PANEL TYPE: T GROOVE	REV:	DATE:
	DETAIL #: TG-WSD-W21	

Western States Metal Roofing

901 W. Watkins St.
 Phoenix, AZ 85007
www.MetalForRoofing.com
www.RustedRoofing.com
www.MetalDeck.com

Phone: (602) 495-0048
 Fax: (602) 261-7726
 877-PURLINS (787-5467)

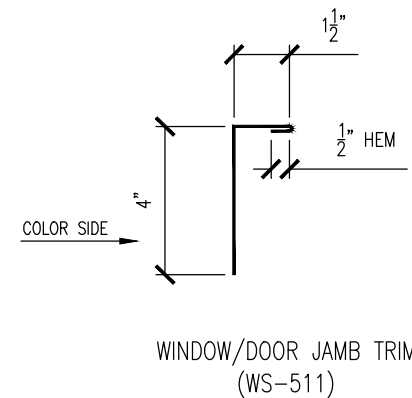
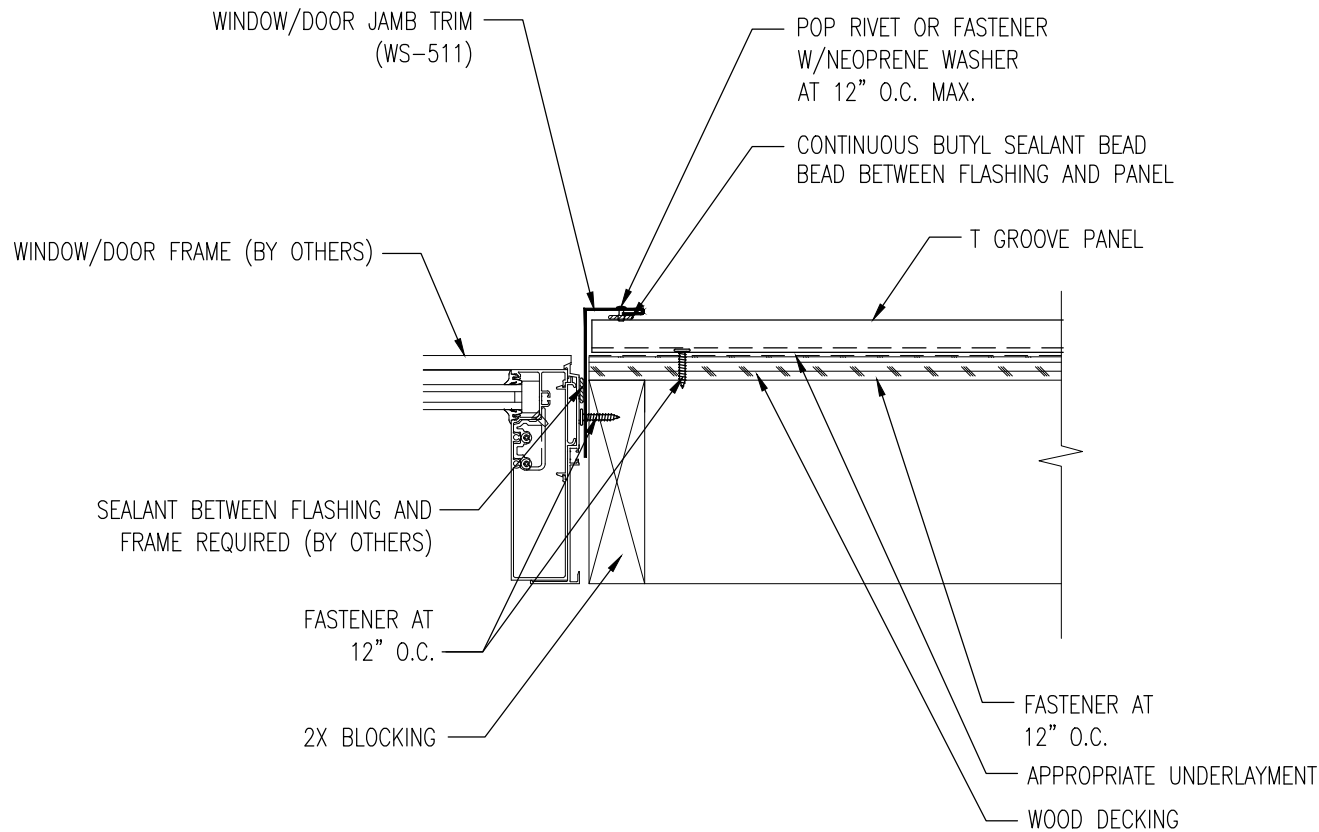


GAUGE: _____	COLOR: _____
LENGTH: _____	FINISH: _____
MATERIAL: _____	
WINDOW/DOOR HEAD HORIZONTAL DETAIL	
PANEL TYPE:	T GROOVE
A	05-20-13
REV:	DATE:
DETAIL #:	
TG-WSD-W22	

Western States Metal Roofing

901 W. Watkins St.
 Phoenix, AZ 85007
www.MetalForRoofing.com
www.RustedRoofing.com
www.MetalDeck.com

Phone: (602) 495-0048
 Fax: (602) 261-7726
 877-PURLINS (787-5467)



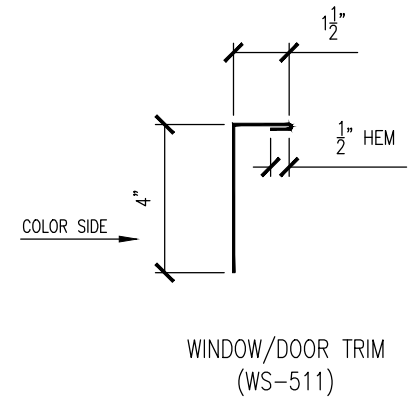
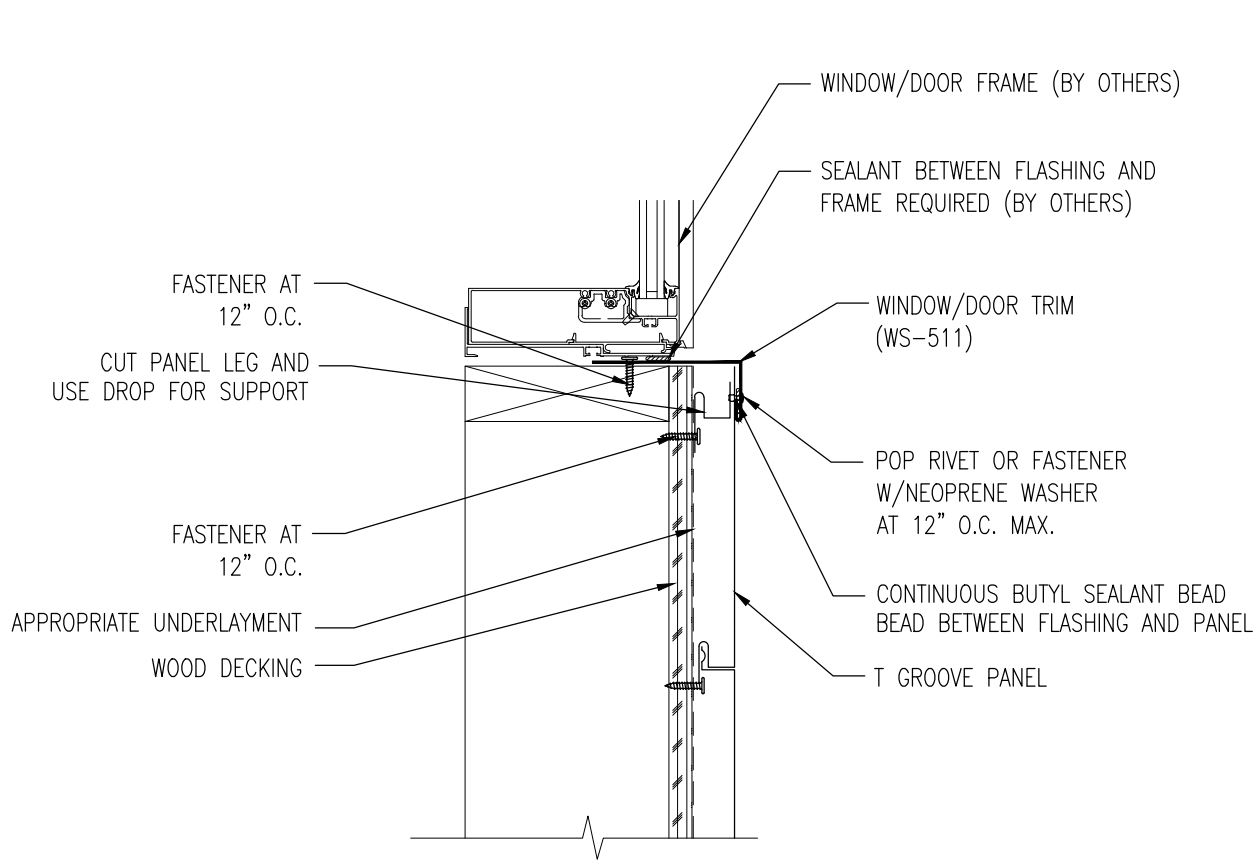
GAUGE: _____	COLOR: _____
LENGTH: _____	FINISH: _____
MATERIAL: _____	

Western States Metal Roofing

901 W. Watkins St.
 Phoenix, AZ 85007
www.MetalForRoofing.com
www.RustedRoofing.com
www.MetalDeck.com

Phone: (602) 495-0048
 Fax: (602) 261-7726
 877-PURLINS (787-5467)

WINDOW/DOOR JAMB HORIZONTAL DETAIL		
	A	05-20-13
PANEL TYPE: T GROOVE	REV:	DATE:
	DETAIL #: TG-WSD-W23	



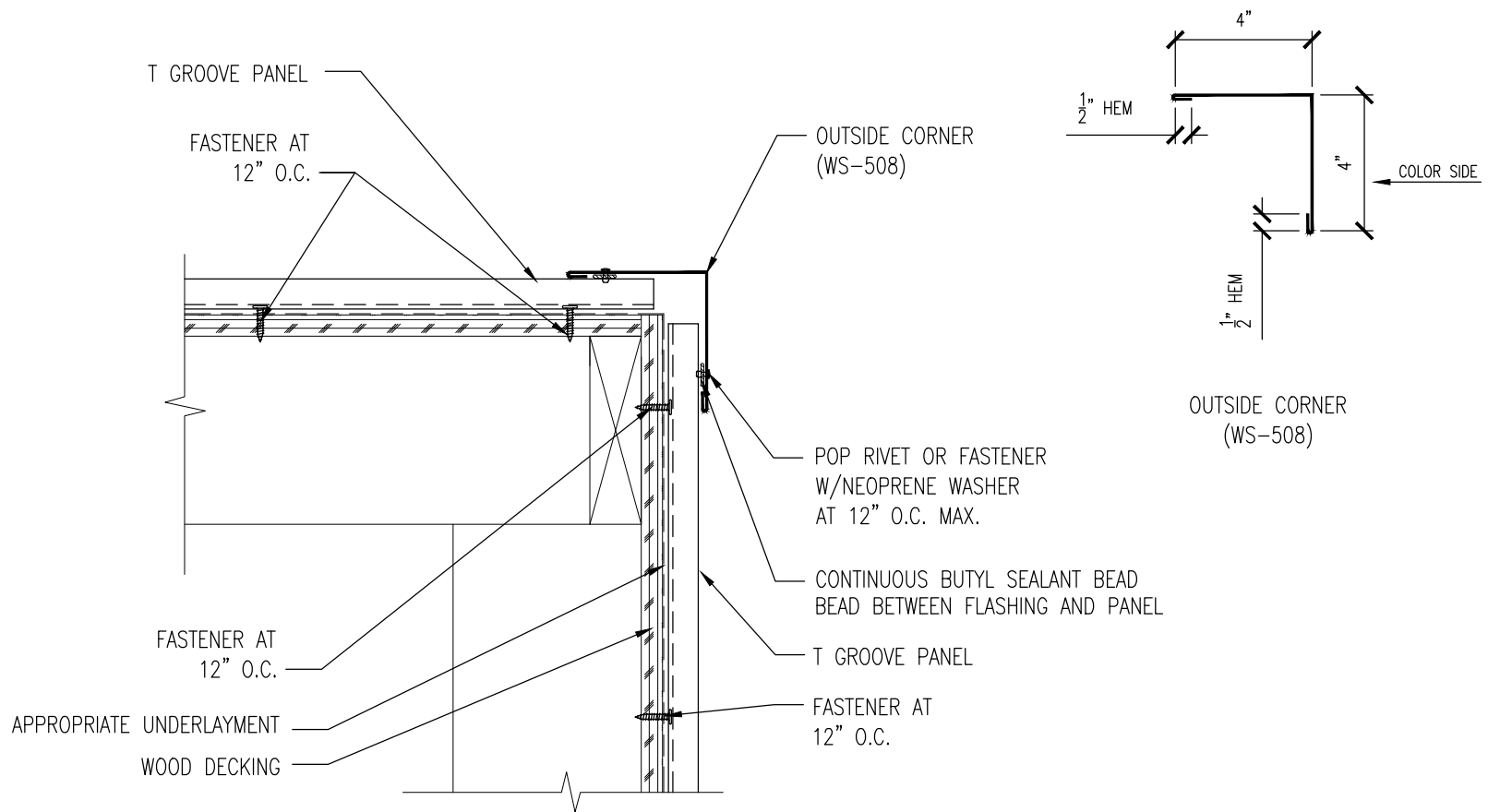
GAUGE: _____	COLOR: _____
LENGTH: _____	FINISH: _____
MATERIAL: _____	

Western States Metal Roofing

901 W. Watkins St.
 Phoenix, AZ 85007
www.MetalForRoofing.com
www.RustedRoofing.com
www.MetalDeck.com

Phone: (602) 495-0048
 Fax: (602) 261-7726
 877-PURLINS (787-5467)

WINDOW/DOOR SILL HORIZONTAL DETAIL		
	A	05-20-13
PANEL TYPE: T GROOVE	REV:	DATE:
	DETAIL #: TG-WSD-W24	



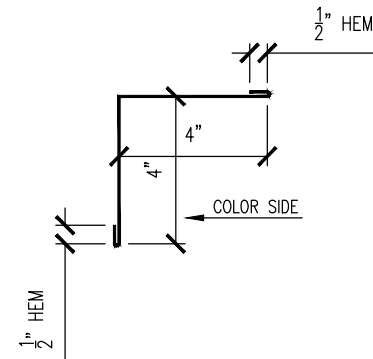
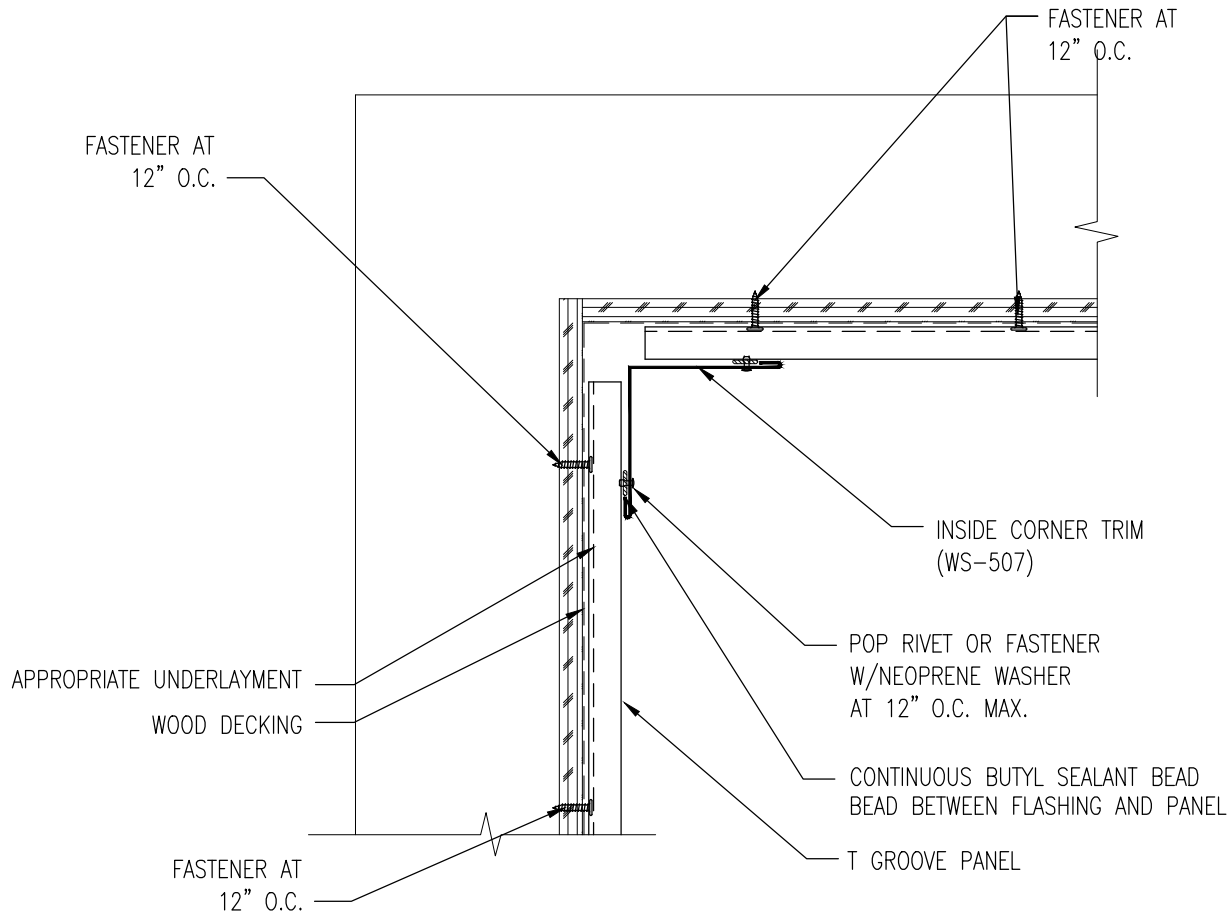
GAUGE: _____	COLOR: _____
LENGTH: _____	FINISH: _____
MATERIAL: _____	

Western States Metal Roofing

901 W. Watkins St.
 Phoenix, AZ 85007
www.MetalForRoofing.com
www.RustedRoofing.com
www.MetalDeck.com

Phone: (602) 495-0048
 Fax: (602) 261-7726
 877-PURLINS (787-5467)

OUTSIDE CORNER HORIZONTAL DETAIL		
	A	05-20-13
PANEL TYPE: T GROOVE	REV:	DATE:
	DETAIL #: TG-WSD-W25	



INSIDE CORNER TRIM
(WS-507)

GAUGE: _____	COLOR: _____
LENGTH: _____	FINISH: _____
MATERIAL: _____	

Western States Metal Roofing

901 W. Watkins St.
Phoenix, AZ 85007
www.MetalForRoofing.com
www.RustedRoofing.com
www.MetalDeck.com

Phone: (602) 495-0048
Fax: (602) 261-7726
877-PURLINS (787-5467)

INSIDE CORNER HORIZONTAL DETAIL		
	A	05-20-13
PANEL TYPE: T GROOVE	REV:	DATE:
	DETAIL #: TG-WSD-W26	

NOTES:

Western States Metal Roofing

901 W. Watkins St.

Phoenix, AZ 85007

www.MetalForRoofing.com

www.RustedRoofing.com

www.MetalDeck.com

Phone: (602) 495-0048

Fax: (602) 261-7726

877-PURLINS (787-5467)

NOTES

PANEL TYPE:

T GROOVE

A

05-20-13

REV:

DATE:

DETAIL #:

TG-WSD-MN27

CUSTOM TRIM

GAUGE: _____	COLOR: _____
BREAKS: _____	FINISH: _____
LENGTH: _____	STRETCH OUT: _____
MATERIAL: _____	
CUSTOM TRIM NAME:	
_____	A 05-20-13
PANEL TYPE:	REV: DATE:
T GROOVE	DETAIL #: TG-WSD-CT28

Western States Metal Roofing

901 W. Watkins St.
Phoenix, AZ 85007
www.MetalForRoofing.com
www.RustedRoofing.com
www.MetalDeck.com

Phone: (602) 495-0048
Fax: (602) 261-7726
877-PURLINS (787-5467)



Finishes You've Never Seen Before®

WESTERN STATES METAL ROOFING

(877) 787-5467 • WESTERNSTATESMETALROOFING.COM

REQUEST A FREE METAL COLOR SAMPLE • Affordable Delivery throughout USA, Canada, and Mexico

Phoenix: 901 W Watkins St., Phoenix, AZ 85007

☎ (602) 495-0048

✉ sales@westernstatesmetalroofing.com

Tucson: 4975 E. Drexel Rd., Tucson, AZ 85706

☎ (520) 574-4247

✉ tucsonsales@westernstatesmetalroofing.com

Texas: 15023 County Rd 545, Nevada, TX 75173

☎ (972) 843-4343

✉ texas-sales@westernstatesmetalroofing.com



www.facebook.com/westernstatesmetalroofing/



www.instagram.com/westernstatesmetalroofing/



www.twitter.com/weststatesmetal



www.youtube.com/westernstatesmetalroofing



www.linkedin.com/company/western-states-metal-roofing



www.pinterest.com/westernstatesmetalroofing/



www.houzz.com/pro/raynaann/western-states-metal-roofing